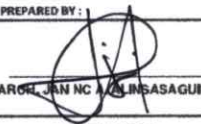
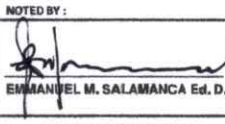
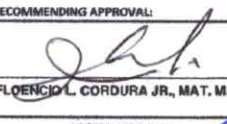


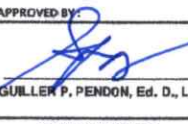
WEST VISAYAS STATE UNIVERSITY
 JANUARY CAMPUS
 JANUJAY, ILOILO, PHILIPPINES
PROJECT PLANNING AND DEVT OFFICE

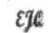
PREPARED BY :

ARON JAN NC A. LINSASAGUIN
 CAMPUS ARCHITECT
 WVBU-JANUJAY CAMPUS

NOTED BY :

EMMANUEL M. SALAMANCA Ed. D.
 PHYSICAL PLANT SUPERVISOR
 WVBU-JANUJAY CAMPUS

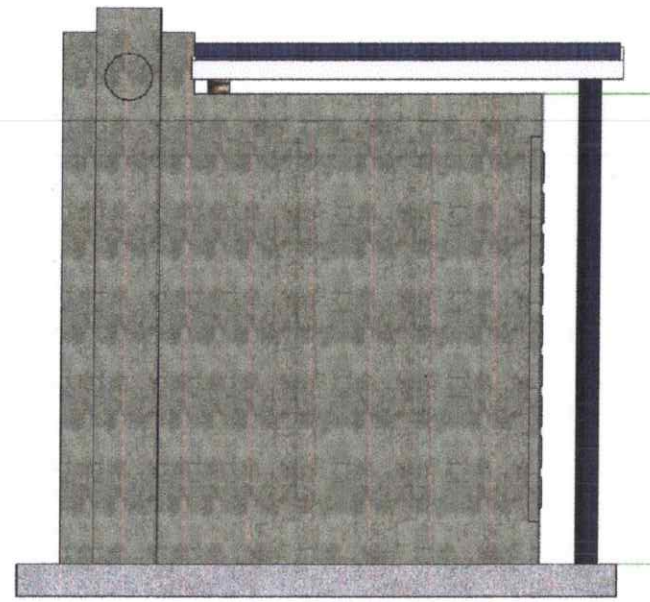
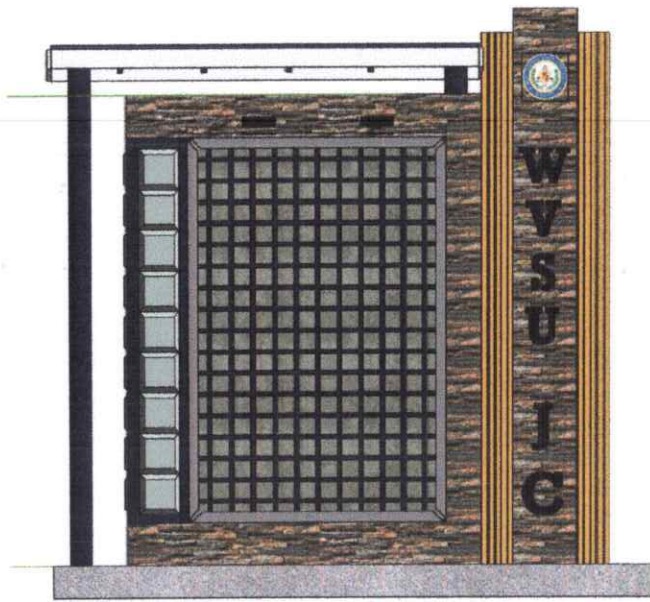
PROJECT TITLE :
**PROPOSED VISION, MISSION
 DISPLAY BOARD / MARKER**
 JANUJAY, ILOILO

RECOMMENDING APPROVAL:

FLORENCIO L. CORDURA JR., MAT. MATH
 COORDINATOR, PDD
 WVBU-JANUJAY CAMPUS

APPROVED BY:

GUILLER P. PENDON, Ed. D., LPT
 CAMPUS ADMINISTRATOR
 WVBU-JANUJAY CAMPUS

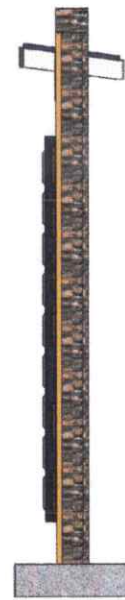
DATE :
 CAD BY :


SHEET CONTENT :
 AS SHOWN
 SHEET NUMBER :




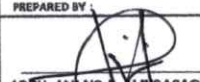
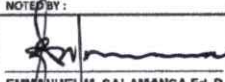

1 FRONT ELEVATION
1 : 25

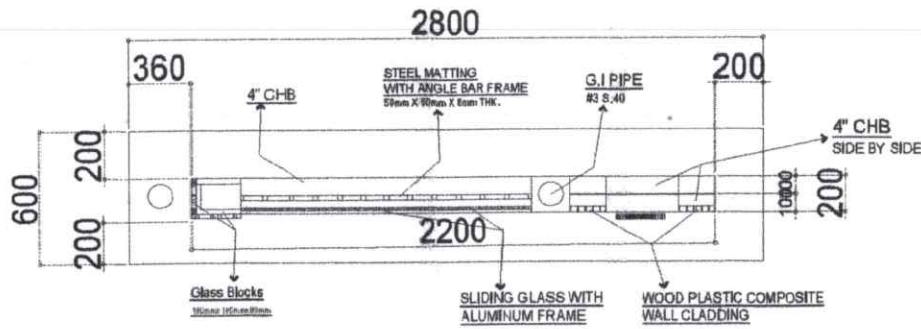
2 REAR ELEVATION
1 : 25



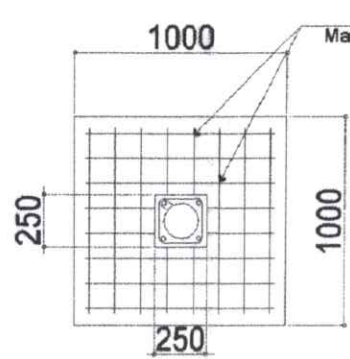
3 RIGHT SIDE VIEW
1 : 25

4 LEFT SIDE VIEW
1 : 25

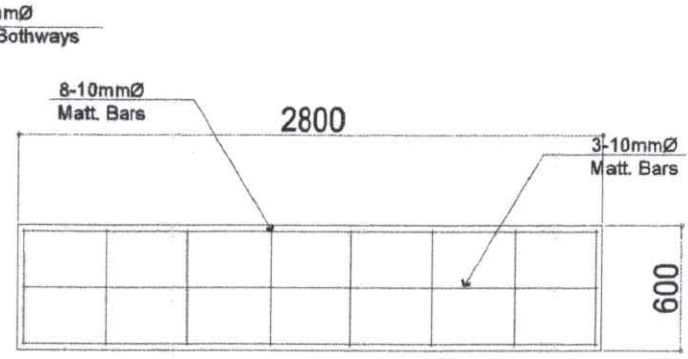
 <p>WEST VISAYAS STATE UNIVERSITY JANLUAY CAMPUS JANLUAY, ILOILO, PHILIPPINES PROJECT PLANNING AND DEVT OFFICE</p>	<p>PREPARED BY:</p>  <p>ARCH. JAN NC A. LINGSAGUIN</p>	<p>NOTED BY:</p>  <p>EMMANUEL M. SALAMANCA Ed. D.</p>	<p>PROJECT TITLE:</p> <p>PROPOSED VISION, MISSION DISPLAY BOARD / MARKER</p>	<p>RECOMMENDING APPROVAL:</p>  <p>FLORENCIO L. CORDURA JR., MAT. MATH</p>	<p>APPROVED BY:</p>  <p>GUILLERMO P. PENDON, Ed. D., LPT</p>	<p>DATE:</p>	<p>SHEET CONTENT:</p> <p>AS SHOWN</p>	<p>SHEET NUMBER:</p>
	<p>CAMPUS ARCHITECT WVBU-JANLUAY CAMPUS</p>	<p>PHYSICAL PLANT SUPERVISOR WVBU-JANLUAY CAMPUS</p>	<p>JANLUAY, ILOILO</p>	<p>COORDINATOR, PDD WVBU-JANLUAY CAMPUS</p>	<p>CAMPUS ADMINISTRATOR WVBU-JANLUAY CAMPUS</p>	<p>CAD BY: EJC</p>		



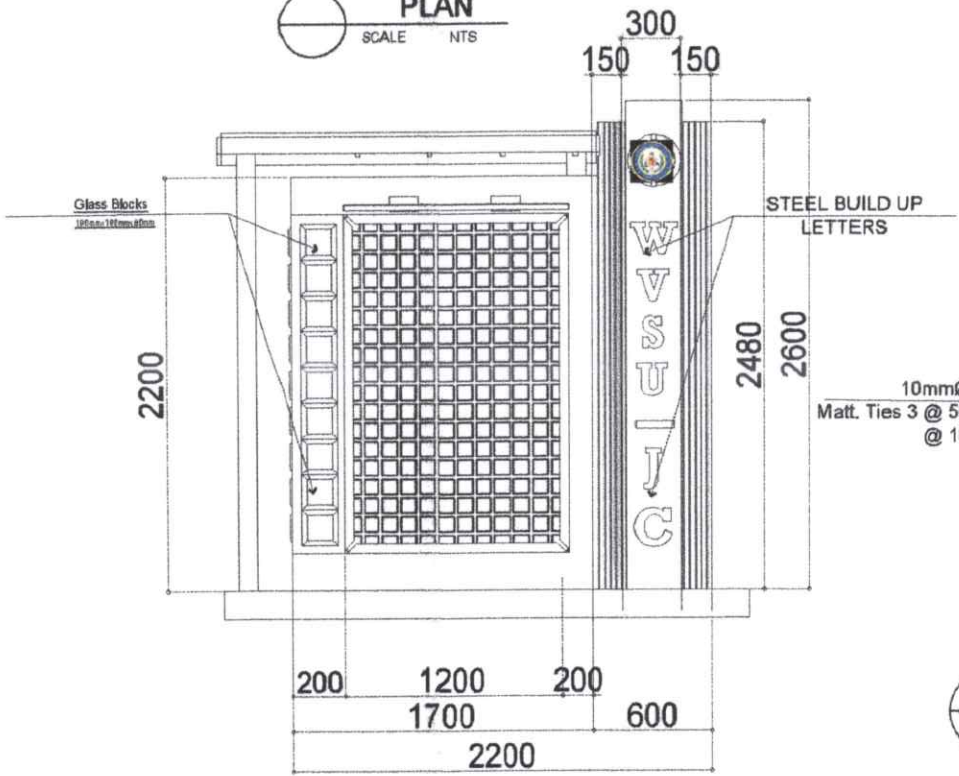
PLAN
SCALE NTS



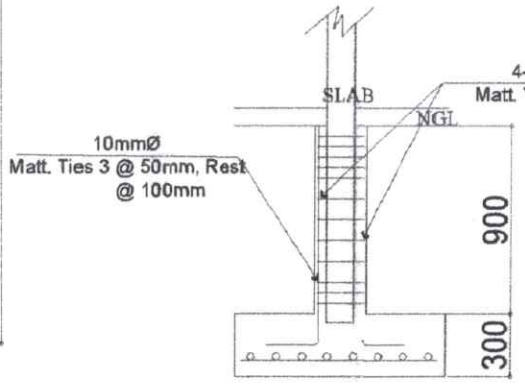
CF PLAN
SCALE NTS



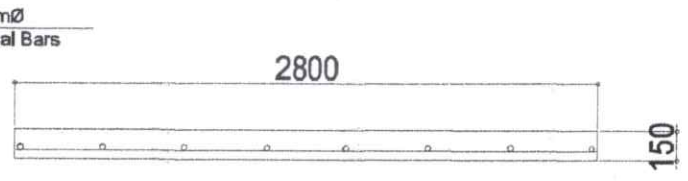
SLAB PLAN
SCALE NTS



ELEVATION
SCALE NTS



CF SECTION
SCALE NTS



SLAB SECTION
SCALE NTS



WEST VISAYAS STATE UNIVERSITY
JANLAY CAMPUS
JANLAY, BULO, PHELIPINES
PROJECT PLANNING AND DEV'T. OFFICE

PREPARED BY:
[Signature]
ARCH. MANUEL A. CASAGUIN
CHIEF ARCHITECT
WEST-VISAYAS CAMPUS

NOTED BY:
[Signature]
EMMANUEL M. SALAMANCA Ed. D.
PHYSICAL PLANT SUPERVISOR
WEST-VISAYAS CAMPUS

PROJECT TITLE:
**PROPOSED VISION, MISSION
DISPLAY BOARD / MARKER**
JANLAY, BULO

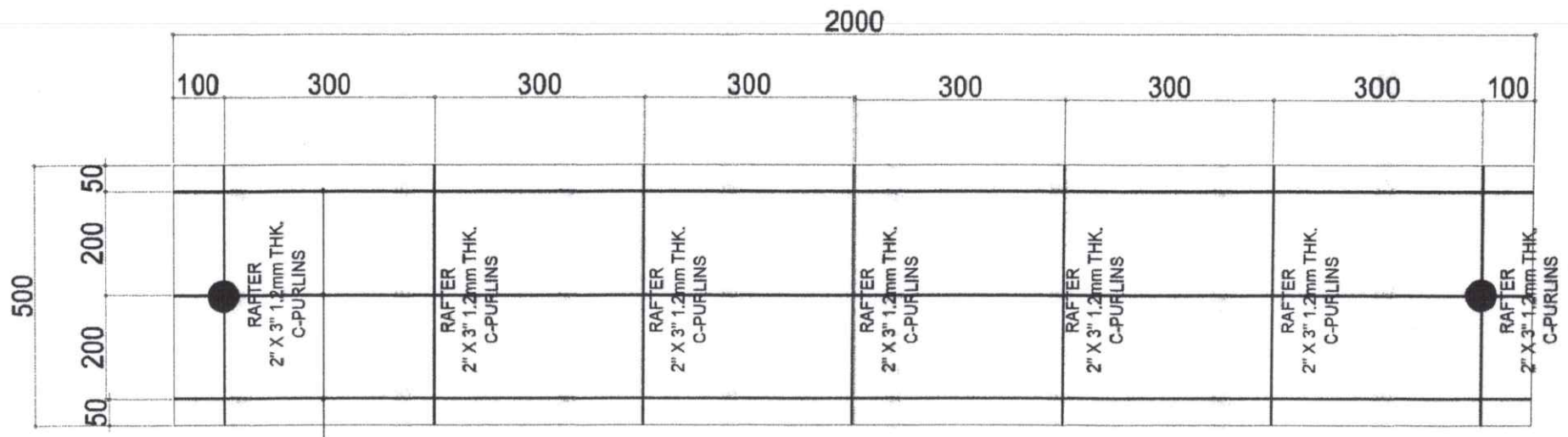
RECOMMENDING APPROVAL:
[Signature]
FLORENCIO L. CORDURA JR., MAT, IMTH
COORDINATOR, PDO
WEST-VISAYAS CAMPUS

APPROVED BY:
[Signature]
GUILLERMO P. PONDON, Ed. D., LPT
CAMPUS ADMINISTRATOR
WEST-VISAYAS CAMPUS

DATE:
CAD BY:
EAC

SHEET CONTENT:
AS SHOWN

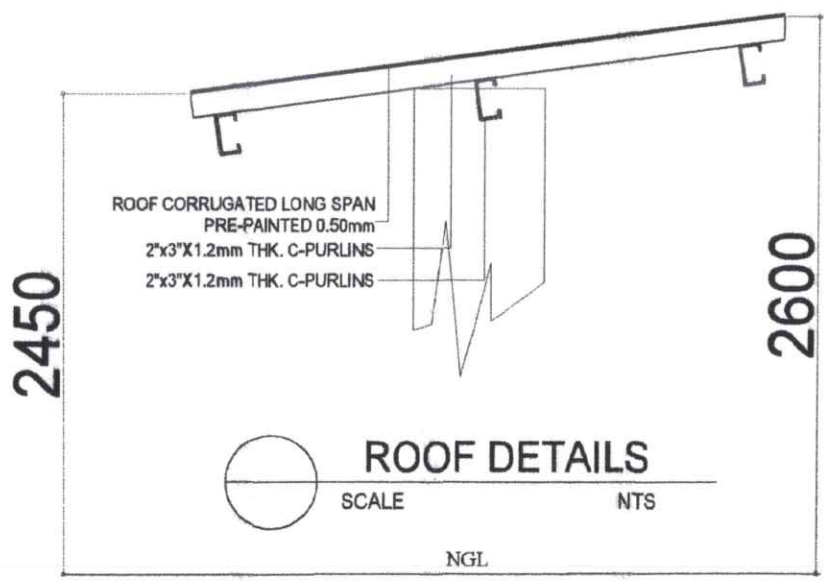
SHEET NUMBER:
-



2" X 3" 1.2mm THK. C-PURLINS

ROOF PLAN

SCALE NTS



ROOF DETAILS

SCALE NTS

NGL



WEST VISAYAS STATE UNIVERSITY
 JANUAY CAMPUS
 JANUAY, ILOILO, PHILIPPINES
 PROJECT PLANNING AND DEV'T. OFFICE

PREPARED BY:

 ARCH. JANINA ARCINAS SAGUIN
 CHIEF ARCHITECT
 WEST VISAYAS CAMPUS

NOTED BY:

 EMMANUEL M. SALAMANCA Ed. D.
 PHYSICAL PLANNING SUPERVISOR
 WEST VISAYAS CAMPUS

PROJECT TITLE:
**PROPOSED VISION, MISSION
 DISPLAY BOARD / MARKER**
 JANUAY, ILOILO

RECOMMENDING APPROVAL:

 FLORENCIO L. CORDURA JR., MAT. MATH
 COORDINATOR, PDO
 WEST VISAYAS CAMPUS

APPROVED BY:

 QUILLER P. PONDON, Ed. D., LPT
 CAMPUS ADMINISTRATOR
 WEST VISAYAS CAMPUS

DATE:

 CAD BY:
 EIR

SHEET CONTENT:
 AS SHOWN

SHEET NUMBER:
