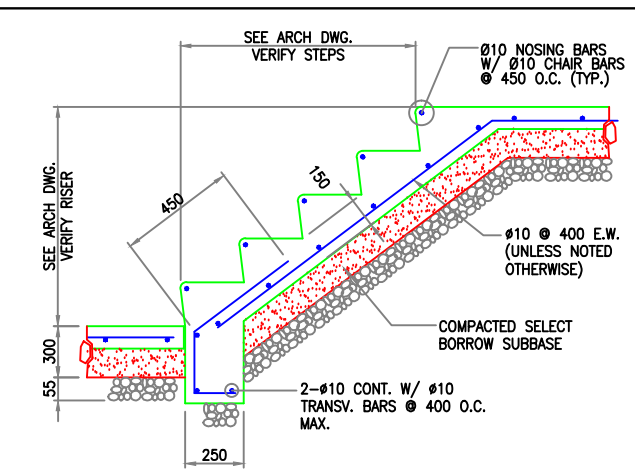
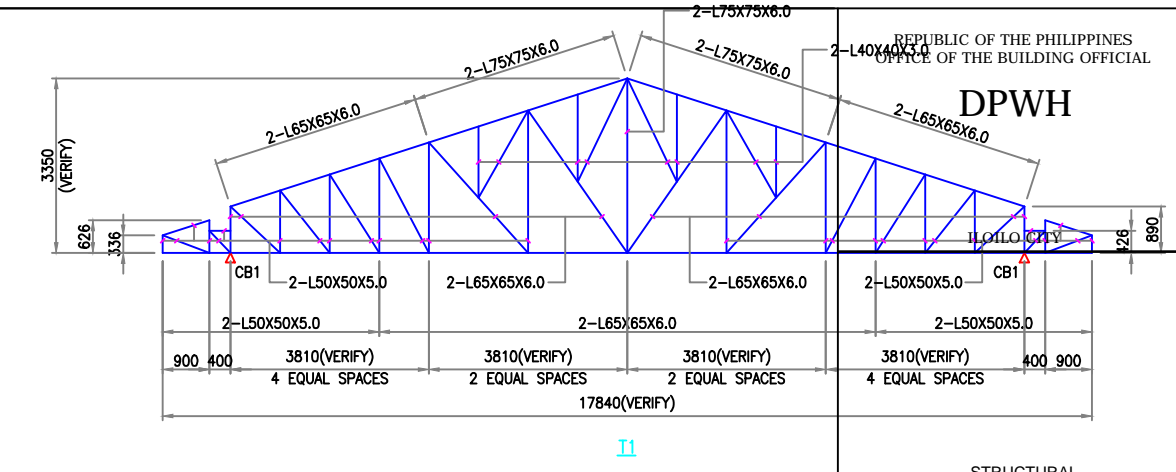


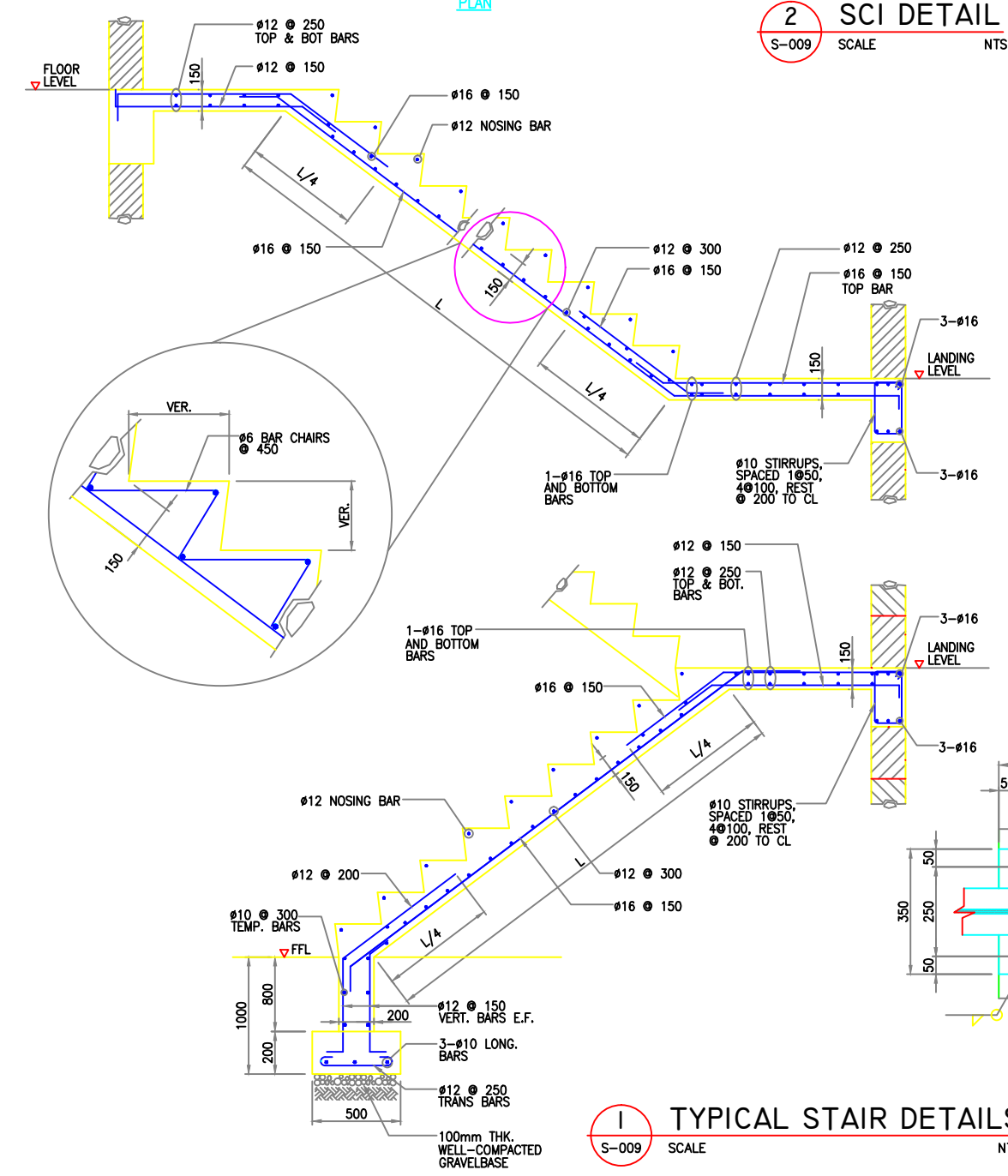
2 SCI DETAIL
S-009 SCALE NTS



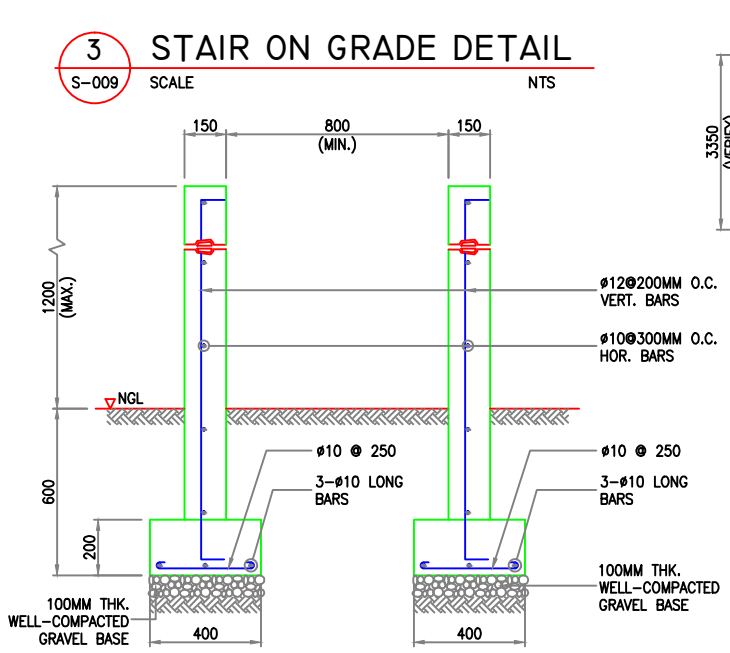
3 STAIR ON GRADE DETAIL
S-009 SCALE NTS



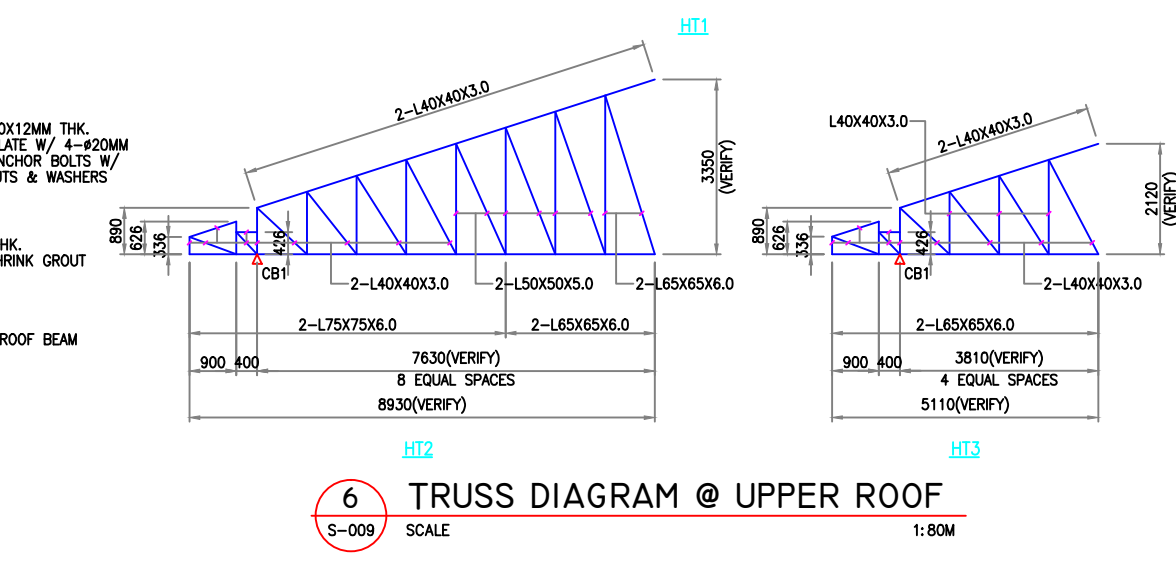
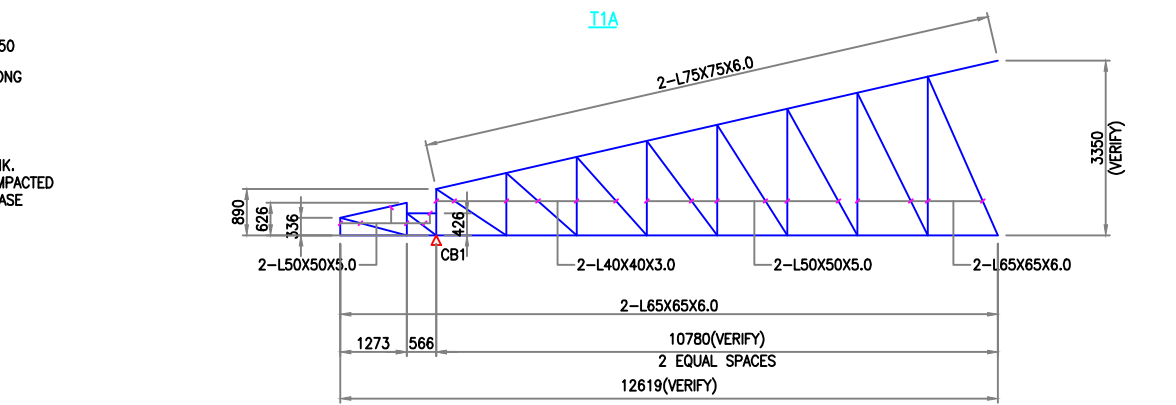
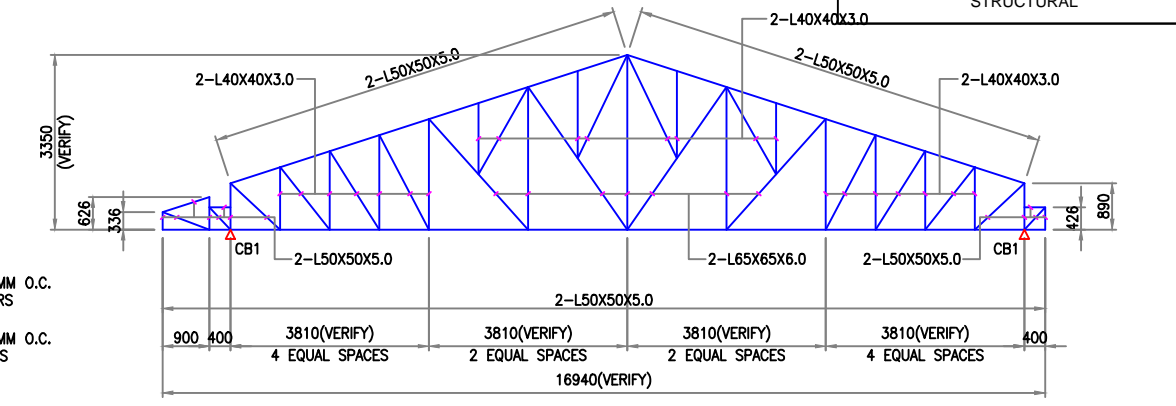
6 TRUSS DIAGRAM @ UPPER ROOF
S-009 SCALE 1:80M



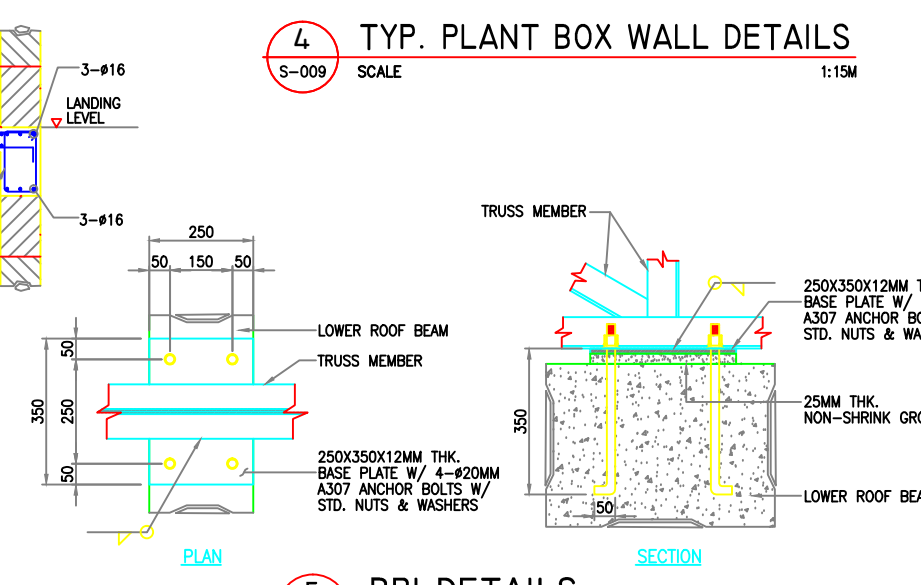
1 TYPICAL STAIR DETAILS
S-009 SCALE NTS



4 TYP. PLANT BOX WALL DETAILS
S-009 SCALE 1:15M

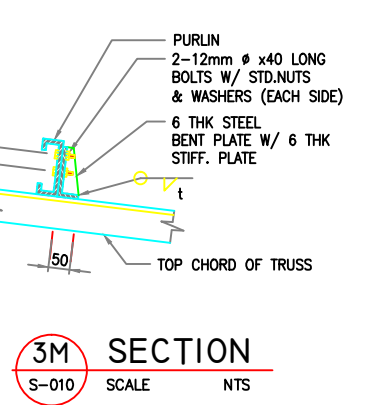
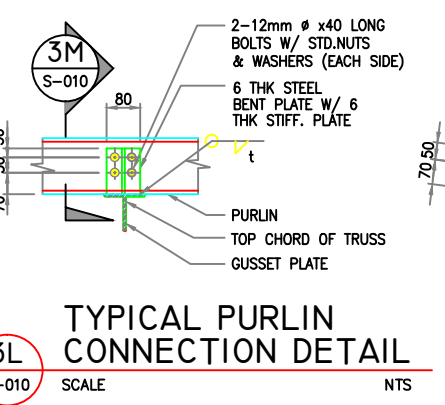
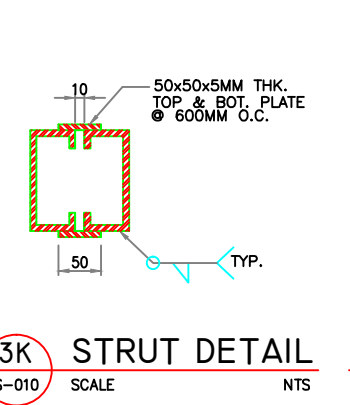
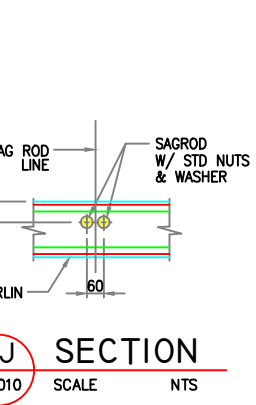
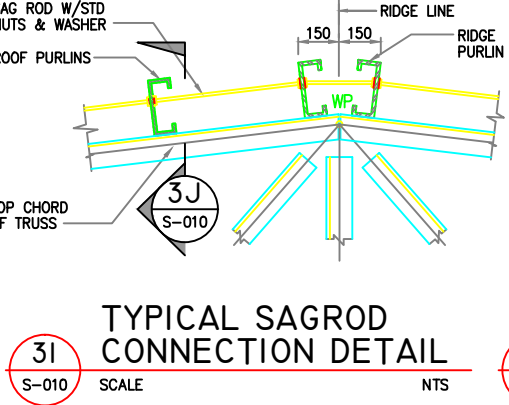
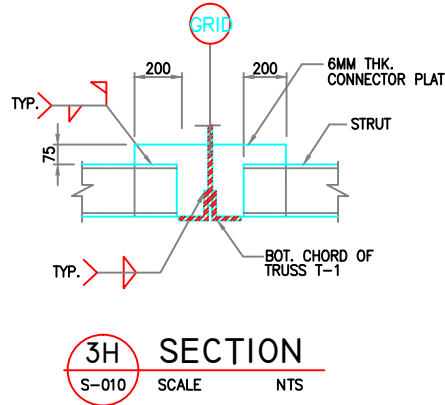
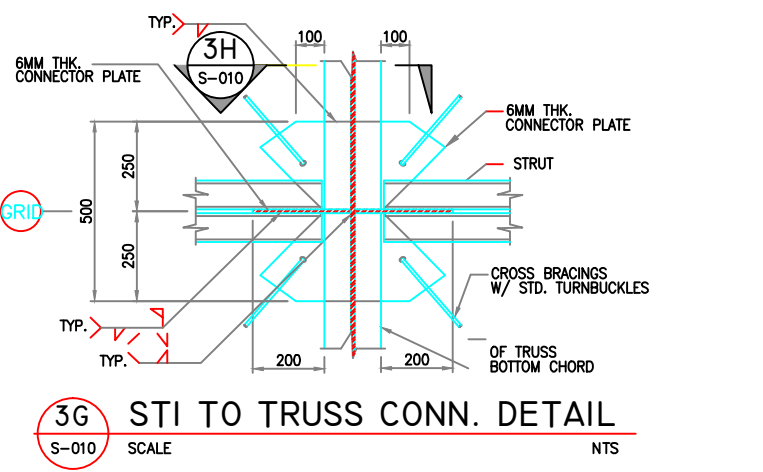
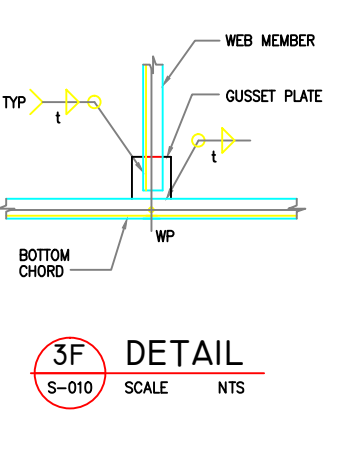
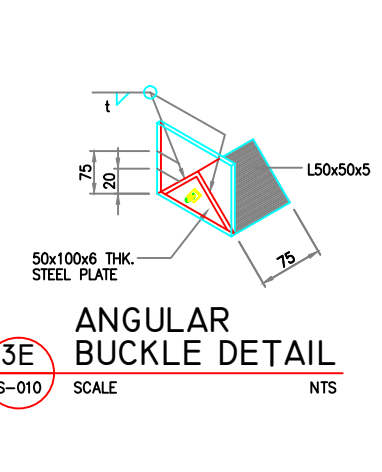
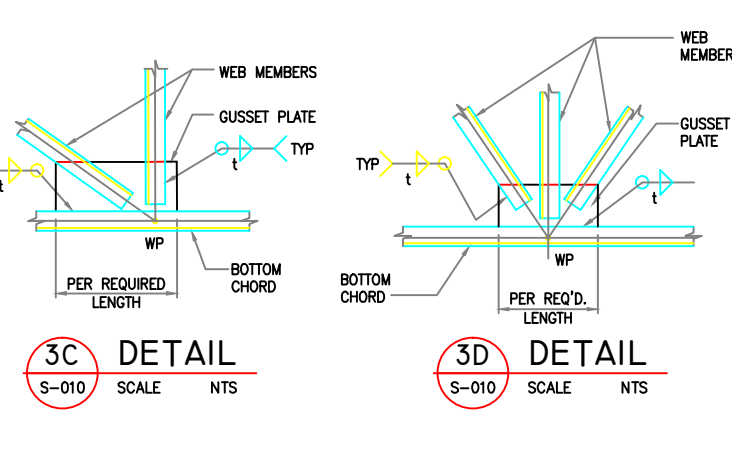
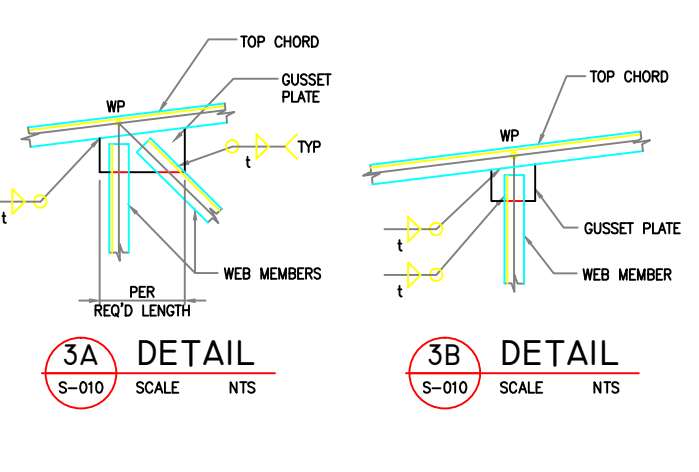
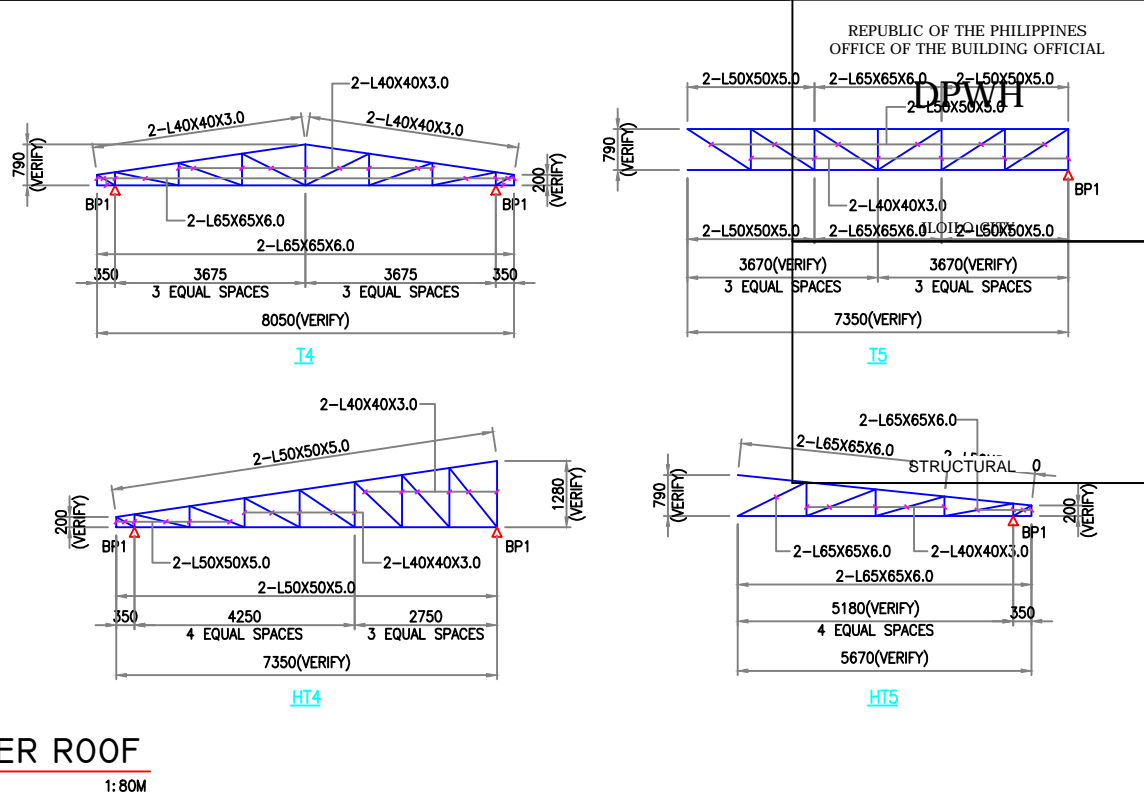
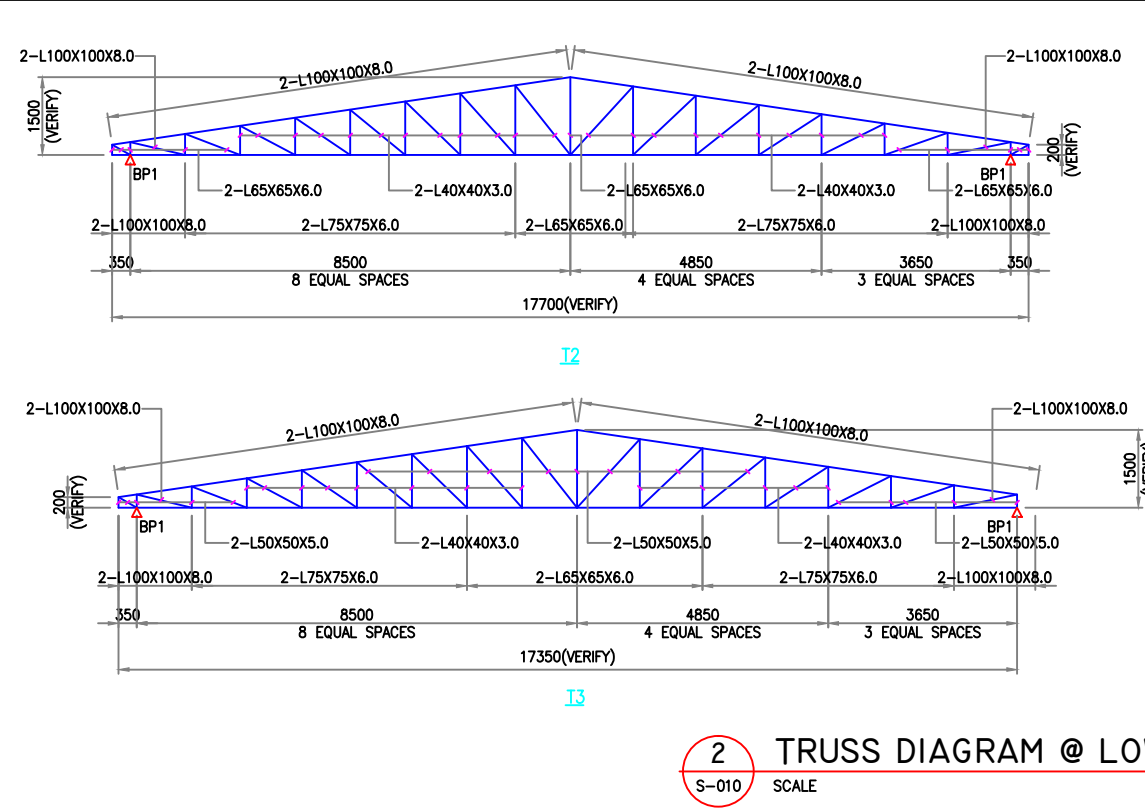
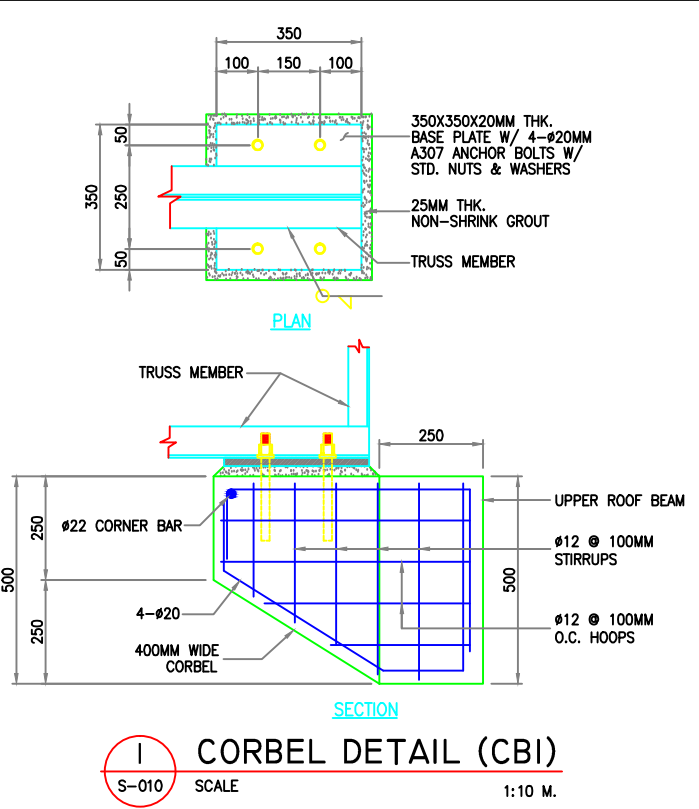


6 TRUSS DIAGRAM @ UPPER ROOF
S-009 SCALE 1:80M



5 BPI DETAILS
S-009 SCALE 1:10 M.

<p>West Visayas State University (Formerly Iloilo Normal School) Luna St., La Paz, Iloilo City 5000 Iloilo, Philippines *Trunkline: (063) (033) 320-0870 to 78 *Telefax No.: (033) 320-0879 *Website: www.wvsu.edu.ph *Email Address: president@wvsu.edu.ph</p> <p>CAMPUS PHYSICAL PLANNING OFFICE</p>	<p>R. A. 545 ART. 2 SEC. 25 (4)</p> <p>ALL DESIGNS, DRAWINGS, SPECIFICATIONS AND COPIES THEREOF, PREPARED AND FURNISHED BY THE ARCHITECT IN CONNECTION WITH THIS PROJECT ARE INSTRUMENTS OF PROFESSIONAL SERVICE AS INSTRUMENTS OF PROFESSIONAL SERVICE THEY ARE THE PROPERTY OF THE ARCHITECT WHETHER THE WORK FOR WHICH THEY ARE MADE MAY BE EXECUTED OR NOT, AND NOT TO BE REPRODUCED OR USED ON OTHER WORK EXCEPT BY WRITTEN AGREEMENT WITH THE ARCHITECT.</p>	CERTIFIED BY:	CHECKED BY:	PROJECT TITLE:	RECOMMENDING APPROVAL:	APPROVED BY:	SHEET CONTENTS:	SHEET NUMBER:
		<p>AR. GERARD L. IBAÑEZ, UAP</p>	<p>AR. GERARD L. IBAÑEZ, UAP</p>	<p>CONSTRUCTION OF A BUILDING FOR THE DOCTOR OF DENTAL MEDICINE PROGRAM</p>	<p>WILHELM P. CERBO, Ed.D. PORFERIO J. BARIAS, JR., Ph. D.</p>	<p>JOSELITO F. VILLARUZ, M.D., PhD., FPPS</p>	<p>AS SHOWN</p>	<p>S-009</p>
		<p>PRC No. TIN:</p> <p>PTR No. D.I.:</p>	<p>OIC HEAD, CPPO</p>	<p>LOCATION: WEST VISAYAS STATE UNIVERSITY MAIN CAMPUS</p>	<p>DIRECTOR, UPDO VP, ADMINISTRATION AND FINANCE</p>	<p>PRESIDENT, WVSU</p>	<p>DESIGNED BY: CHECKED BY:</p> <p>ACAD BY: NAM CALAR DATE:</p>	



SCHEDULE OF WELDS		
GUSSET PLATE THICKNESS (MM)	MEMBER THICKNESS (MM)	SIZE OF FILLET WELD, T (MM)
6	3.0	3.0
	5.0	3.0
10	6.0	4.5
	8.0	6.0

NOTE:
GUSSET PLATE DIMENSION SHALL BE DICTATED BY THE MINIMUM REQUIRED LENGTH OF WELD.

3 TRUSS CONNECTION DETAILS
S-010 SCALE NTS

<p>West Visayas State University (Formerly Iloilo Normal School) Luna St., La Paz, Iloilo City 5000 Iloilo, Philippines *Toll-free: (053) 320-0870 to 79 - *Telefax No.: (053) 320-0879 *Website: www.wvsu.edu.ph *Email Address: president@wvsu.edu.ph</p> <p>CAMPUS PHYSICAL PLANNING OFFICE</p>	<p>R. A. 545 ART. 2 SEC. 25 (4)</p> <p>ALL DESIGNS, DRAWINGS, SPECIFICATIONS AND COPIES THEREOF, PREPARED AND FURNISHED BY THE ARCHITECT IN CONNECTION WITH THIS PROJECT, ARE INSTRUMENTS OF PROFESSIONAL SERVICE, AS INSTRUMENTS OF PROFESSIONAL SERVICE THEY ARE THE PROPERTY OF THE ARCHITECT WHETHER THE WORK FOR WHICH THEY ARE MADE MAY BE EXECUTED OR NOT, AND NOT TO BE REPRODUCED OR USED ON OTHER WORK EXCEPT BY WRITTEN AGREEMENT WITH THE ARCHITECT.</p>	<p>CERTIFIED BY:</p>	<p>CHECKED BY:</p>	<p>PROJECT TITLE:</p>	<p>RECOMMENDING APPROVAL:</p>	<p>APPROVED BY:</p>	<p>SHEET CONTENTS:</p>	<p>SHEET NUMBER</p>
		<p>PRC No. _____</p> <p>PTR No. _____</p>	<p>TIN: _____</p> <p>D.I.: _____</p>	<p>AR. GERARD I. IBAÑEZ, UAP</p> <p>OIC HEAD, CPPPO</p>	<p>CONSTRUCTION OF A BUILDING FOR THE DOCTOR OF DENTAL MEDICINE PROGRAM</p> <p>LOCATION: WEST VISAYAS STATE UNIVERSITY MAIN CAMPUS</p>	<p>WILHELM P. CERBO, Ed.D.</p> <p>DIRECTOR, UPDO</p>	<p>PORFERIO J. BARLAS, JR., Ph. D.</p> <p>VP. ADMINISTRATION AND FINANCE</p>	<p>JOSELITO F. VILLARUZ, M.D., PhD., FPPS</p> <p>PRESIDENT, WVSU</p>