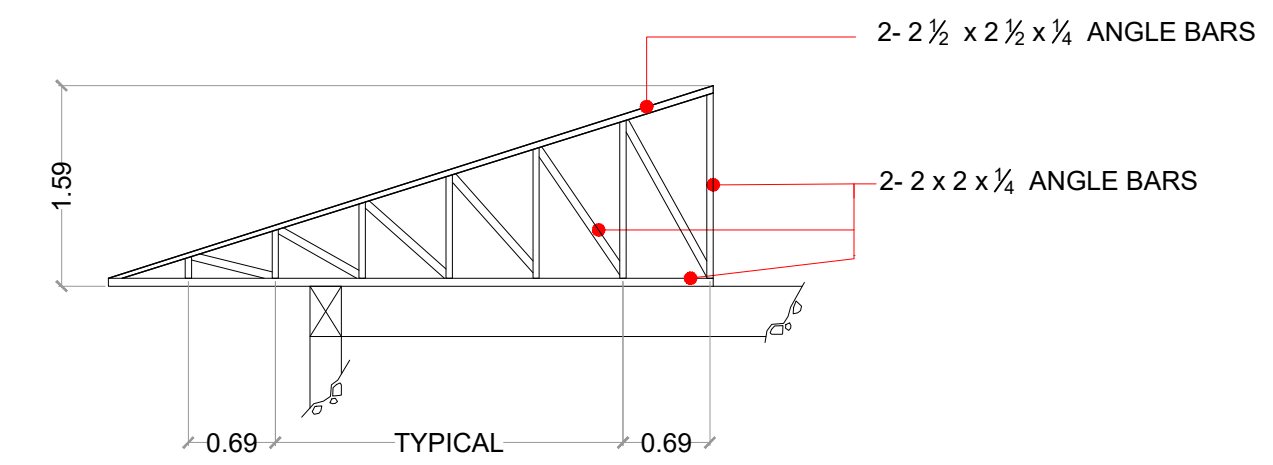
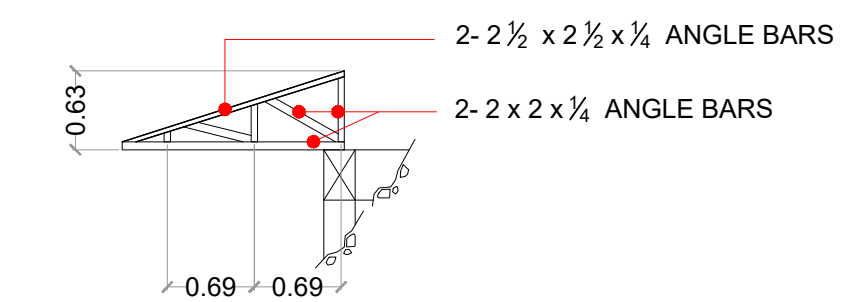


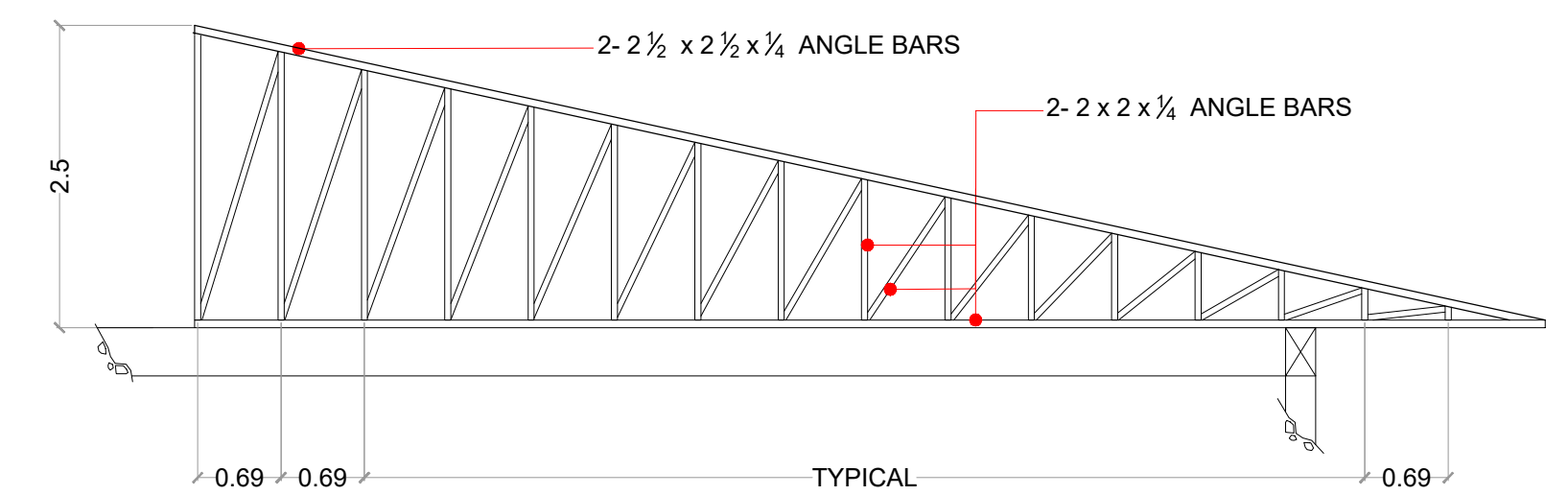
**1** ROXAS HALL  
**ROOF FRAMING PLAN**  
SCALE 1:150



**2** ROXAS HALL  
**(HT-1) HALF TRUSS 1 SECTION DETAIL**  
SCALE 1:60

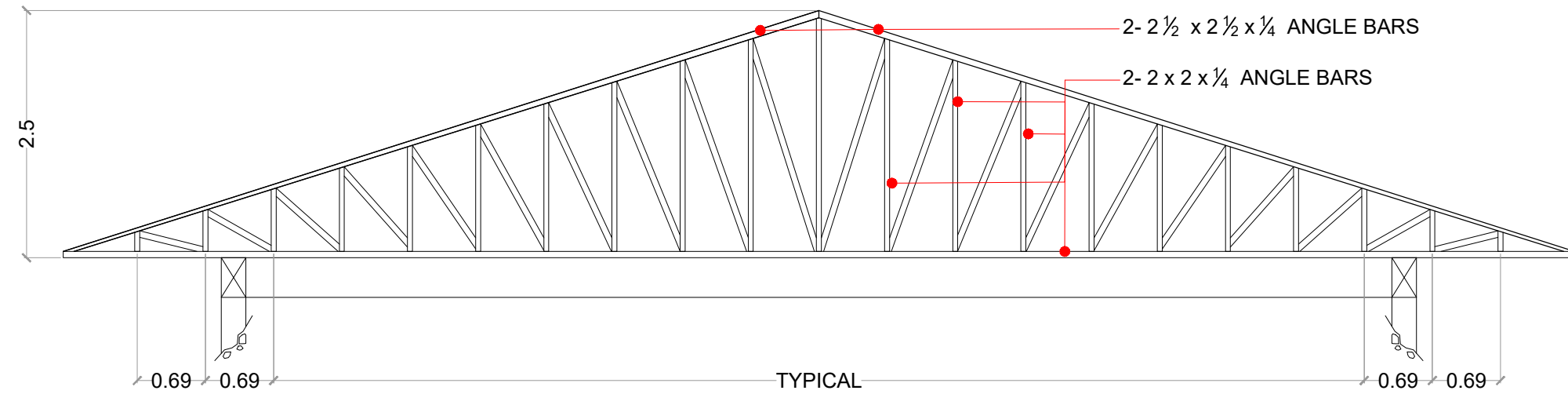


**3** ROXAS HALL  
**(HT-2) HALF TRUSS 2 SECTION DETAIL**  
SCALE 1:60

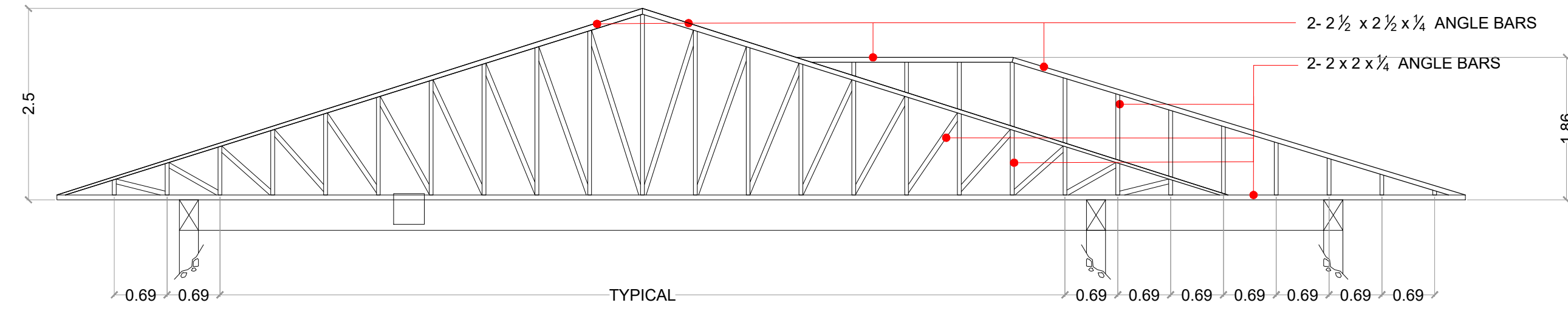


**4** ROXAS HALL  
**(T-3) TRUSS 3 SECTION DETAIL**  
SCALE 1:60

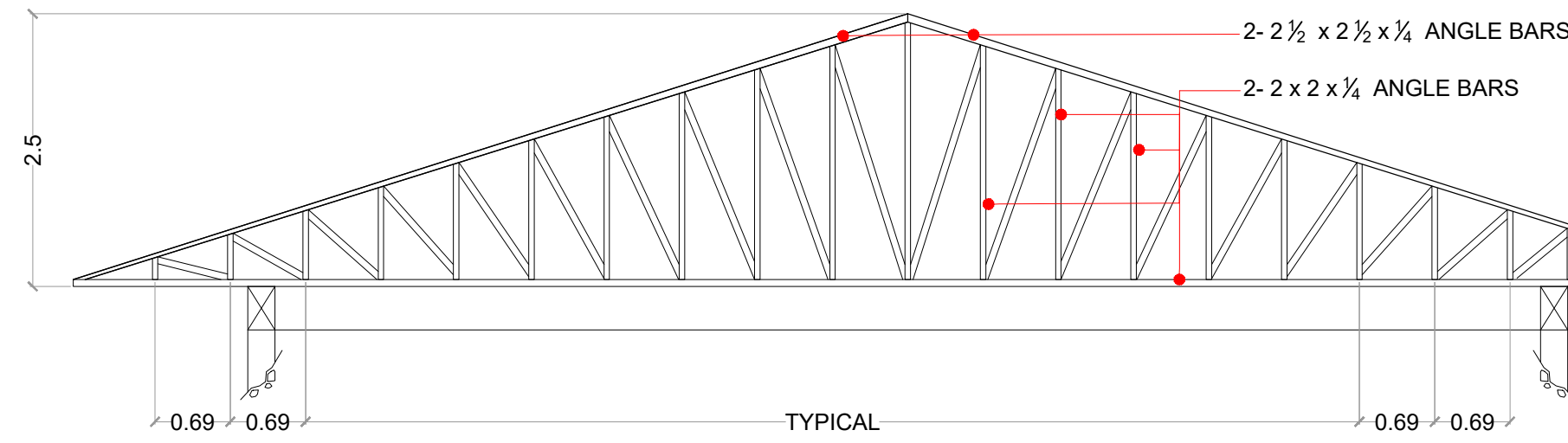
<p>PREPARED BY: ENGR. REANNE JOYCE SORTIGOSA ENGINEER</p>	<p>PRC: PTR: DATE: PLACE:</p>	<p>THESE DRAWINGS AND SPECIFICATIONS AND OTHER CONTRACT DOCUMENTS DULY SIGNED, STAMPED OR SEALED AS INSTRUMENTS OF SERVICE, ARE THE INTELLECTUAL PROPERTY AND DOCUMENTS OF THE ARCHITECT. WHETHER THE OBJECT FOR WHICH THEY ARE MADE EXECUTED OR NOT, IT SHALL BE UNLAWFUL FOR ANY PERSON TO DUPLICATE OR TO MAKE COPIES OF SAID DOCUMENTS FOR USE IN THE REPRODUCTION OF AND FOR OTHER PROJECTS OR BUILDINGS, WHETHER EXECUTED PARTLY OR IN WHOLE, WITHOUT THE WRITTEN CONSENT OF ARCHITECT OR AUTHOR OF SAID DOCUMENTS SEC. 33 REPUBLIC ACT 9298</p>	<p>PROJECT TITLE: REPAIR OF ROXAS HALL ROOFING</p>	<p>CONCURRED BY: AR. GERARD L. IBAÑEZ, UAP OIC HEAD, CPPO</p>	<p>RECOMMENDING APPROVAL: WILHELM P. CERBO, Ed. D DIRECTOR, UPDO</p>	<p>APPROVED BY: JOSELITO F. VILLARUZ, M.D., Ph.D., FPPS SUC PRESIDENT IV</p>	<p>SHEET CONTENTS: AS SHOWN DRAWN BY: NFC</p>	<p>S 1</p>
	<p>LOCATION: WEST VISAYAS STATE UNIVERSITY (MAIN CAMPUS), ILOILO CITY</p>		<p>APPROVED BY: JOSELITO F. VILLARUZ, M.D., Ph.D., FPPS SUC PRESIDENT IV</p>	<p>AS SHOWN DRAWN BY: NFC</p>				



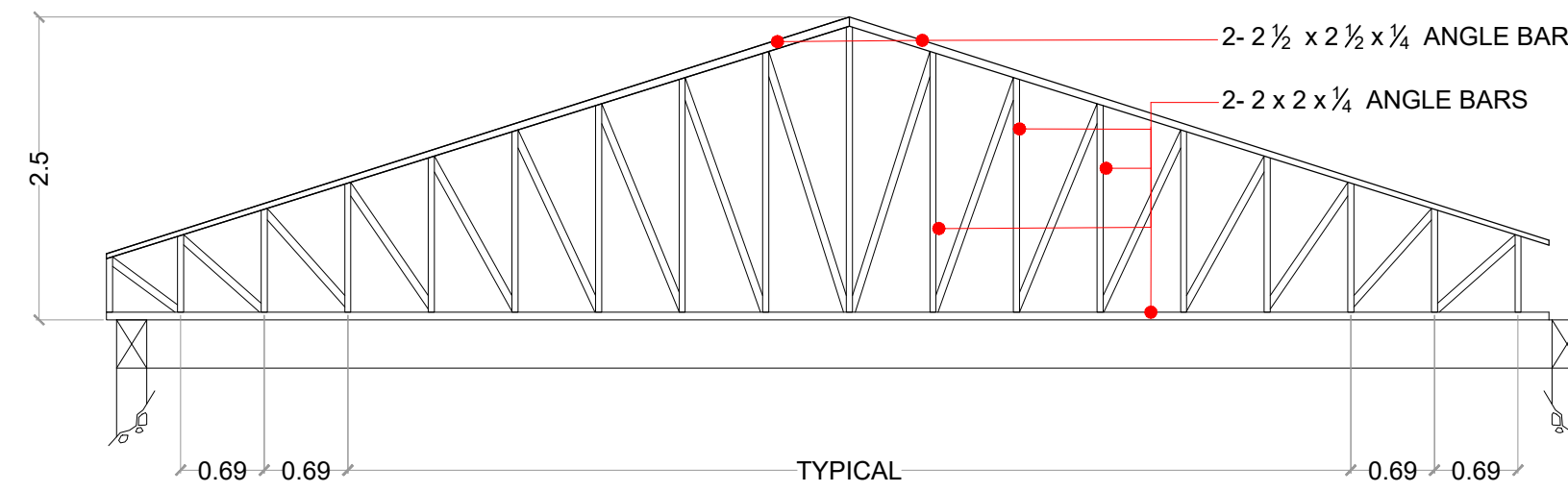
1 ROXAS HALL  
**(T-1) TRUSS 1 SECTION DETAIL**  
SCALE 1:60



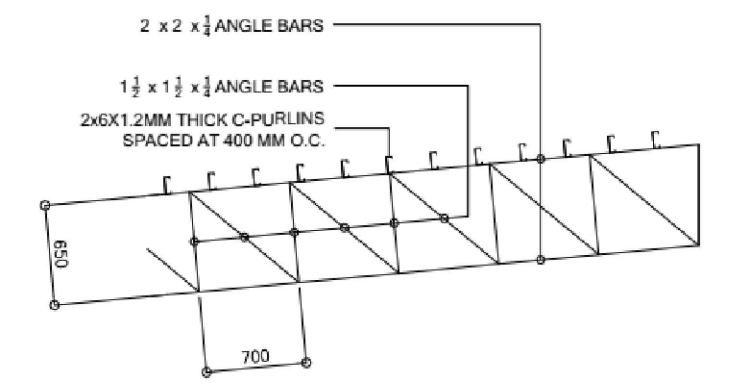
4 ROXAS HALL  
**(T-4) TRUSS 4 SECTION DETAIL**  
SCALE 1:60



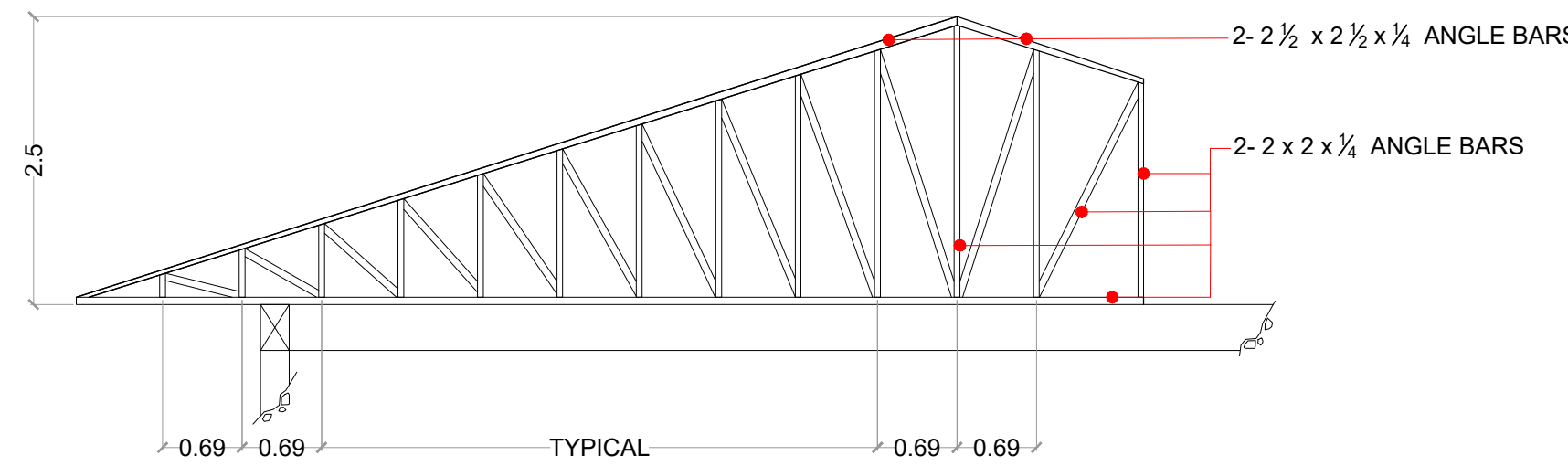
2 ROXAS HALL  
**(T-2) TRUSS 2 SECTION DETAIL**  
SCALE 1:60



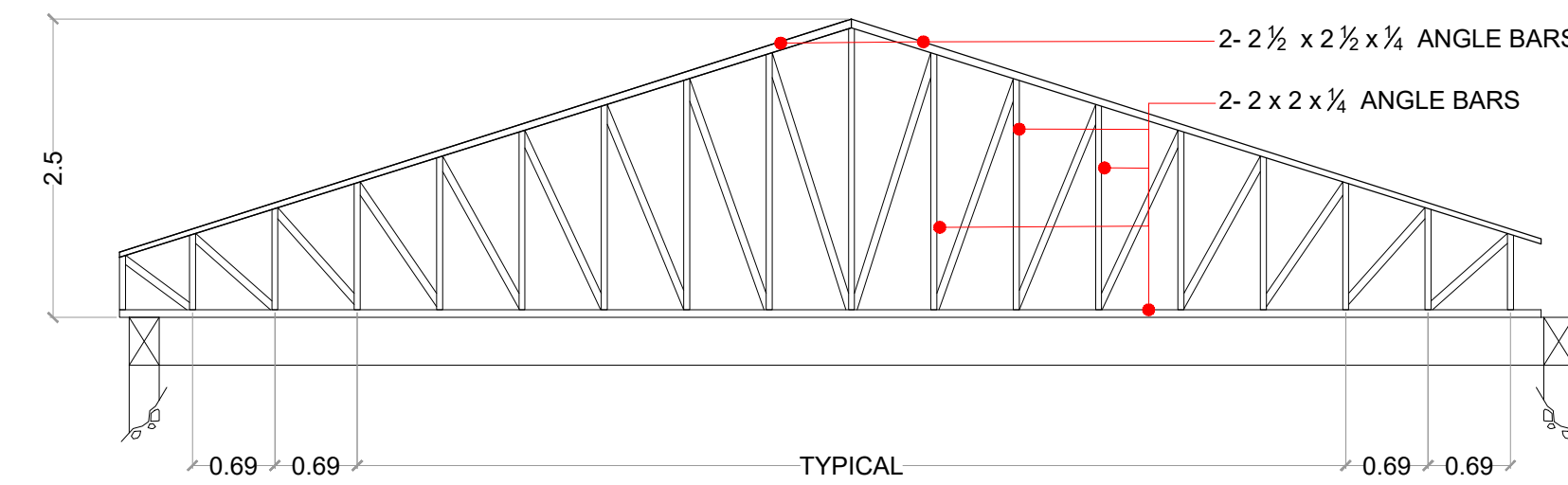
5 ROXAS HALL  
**(T-5) TRUSS 5 SECTION DETAIL**  
SCALE 1:60



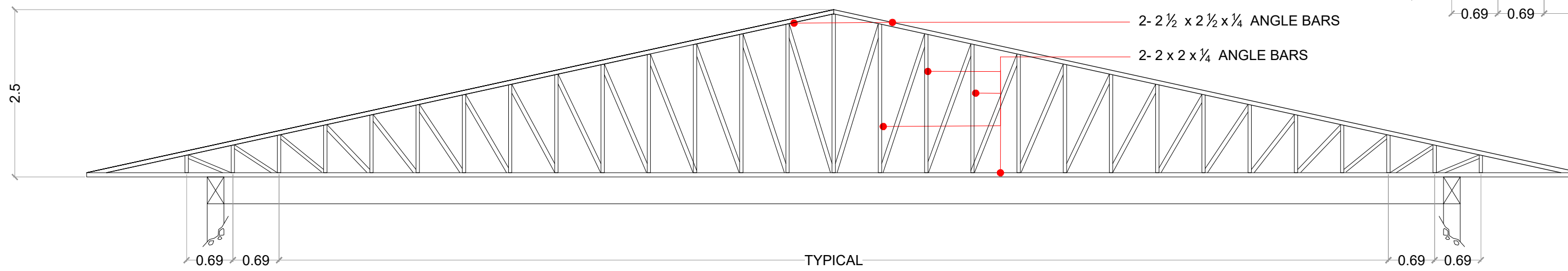
RAFTER DETAIL (blow-up)  
SCALE 1:50M



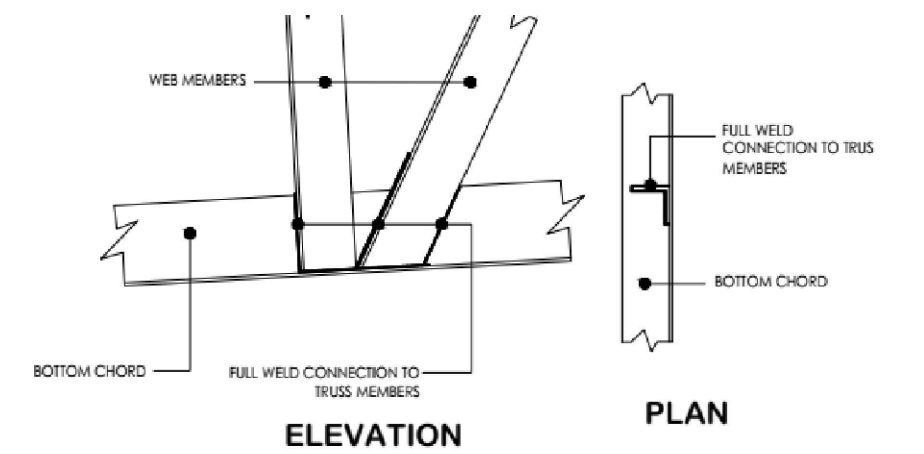
3 ROXAS HALL  
**(T-3) TRUSS 3 SECTION DETAIL**  
SCALE 1:60



6 ROXAS HALL  
**(T-6) TRUSS 6 SECTION DETAIL**  
SCALE 1:60



7 ROXAS HALL  
**(T-6) TRUSS 6 SECTION DETAIL**  
SCALE 1:60



TRUSS MEMBERS CONNECTION  
SCALE N T S

<p>PREPARED BY:</p> <p>ENGR. REANNE JOYCE SORTIGOSA</p> <p>ENGINEER</p>	<p>PRC:</p> <p>PTR:</p> <p>DATE:</p> <p>PLACE:</p>	<p>THESE DRAWINGS AND SPECIFICATIONS AND OTHER CONTRACT DOCUMENTS DULY SIGNED, STAMPED OR SEALED AS INSTRUMENTS OF SERVICE, ARE THE INTELLECTUAL PROPERTY AND DOCUMENTS OF THE ARCHITECT. WHETHER THE OBJECT FOR WHICH THEY ARE MADE EXECUTED OR NOT, IT SHALL BE INVALID FOR ANY PERSON TO DUPLICATE OR TO MAKE COPIES OF SAID DOCUMENTS FOR USE IN THE REPRODUCTION OF AND FOR OTHER PROJECTS OR BUILDINGS, WHETHER EXECUTED PARTLY OR IN WHOLE, WITHOUT THE WRITTEN CONSENT OF ARCHITECT OR AUTHOR OF SAID DOCUMENTS</p> <p>SEC. 33 REPUBLIC ACT 9296</p>	<p>PROJECT TITLE:</p> <p>REPAIR OF ROXAS HALL ROOFING</p> <p>LOCATION: WEST VISAYAS STATE UNIVERSITY (MAIN CAMPUS), ILOILO CITY</p>	<p>CONCURRED BY:</p> <p>AR. GERARD L. IBAÑEZ, UAP</p> <p>OIC HEAD, CPPO</p>	<p>RECOMMENDING APPROVAL:</p> <p>WILHELM P. CERBO, Ed. D</p> <p>DIRECTOR, UPDO</p>	<p>APPROVED BY:</p> <p>JOSELITO F. VILLARUZ, M.D., Ph.D., FPFS</p> <p>SUC PRESIDENT IV</p>	<p>SHEET CONTENTS:</p> <p>AS SHOWN</p> <p>DRAWN BY:</p> <p>NFC</p>	<p>S</p> <p>2</p>
	<p>SCALE</p>		<p>SCALE</p>	<p>SCALE</p>	<p>SCALE</p>	<p>SCALE</p>	<p>SCALE</p>	