



PERSPECTIVE

Republic of the Philippines  
D.P.W.H.

Office of the Building Officials

LAND USE & ZONING

LINE & GRADE

ARCHITECTURAL

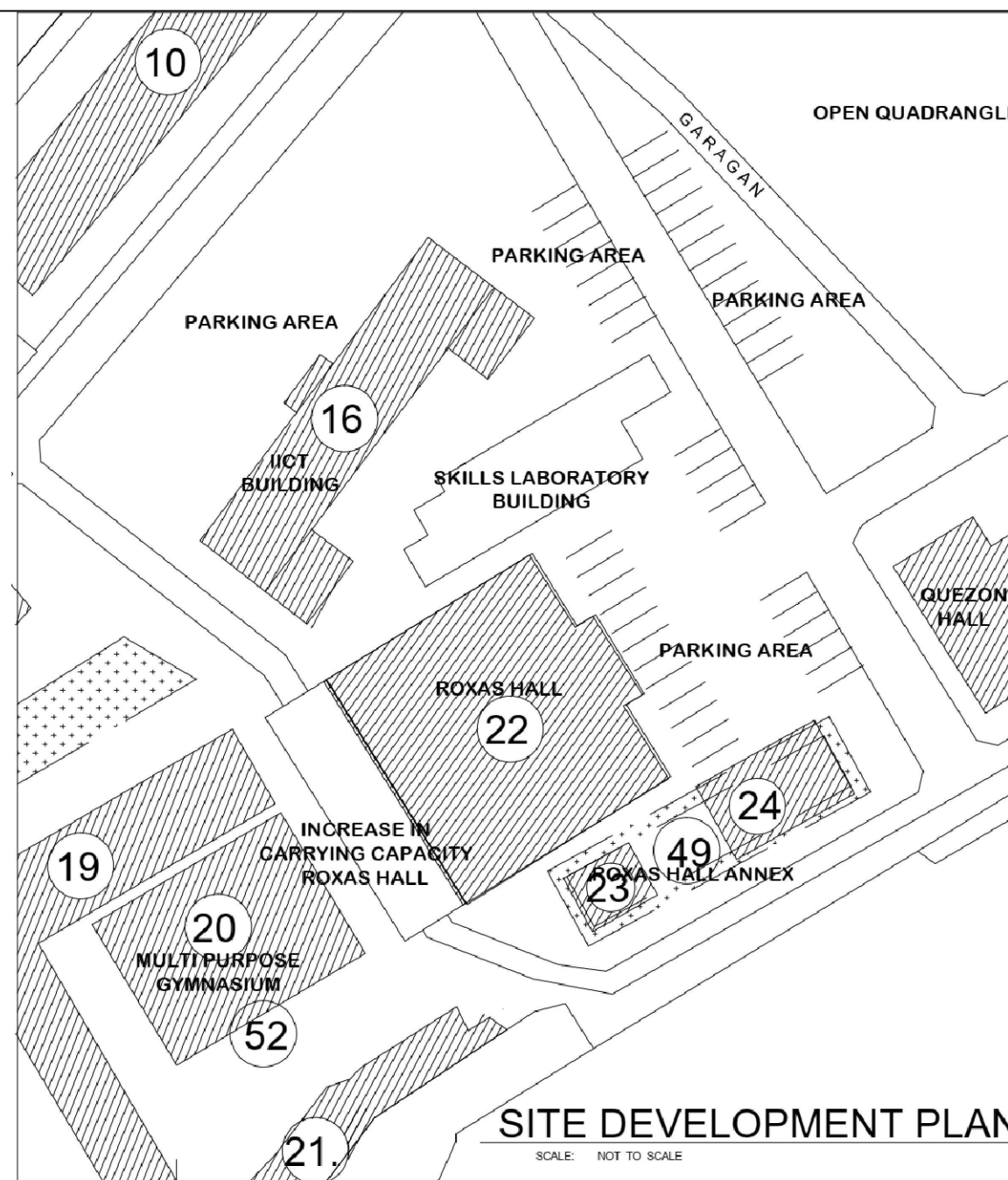
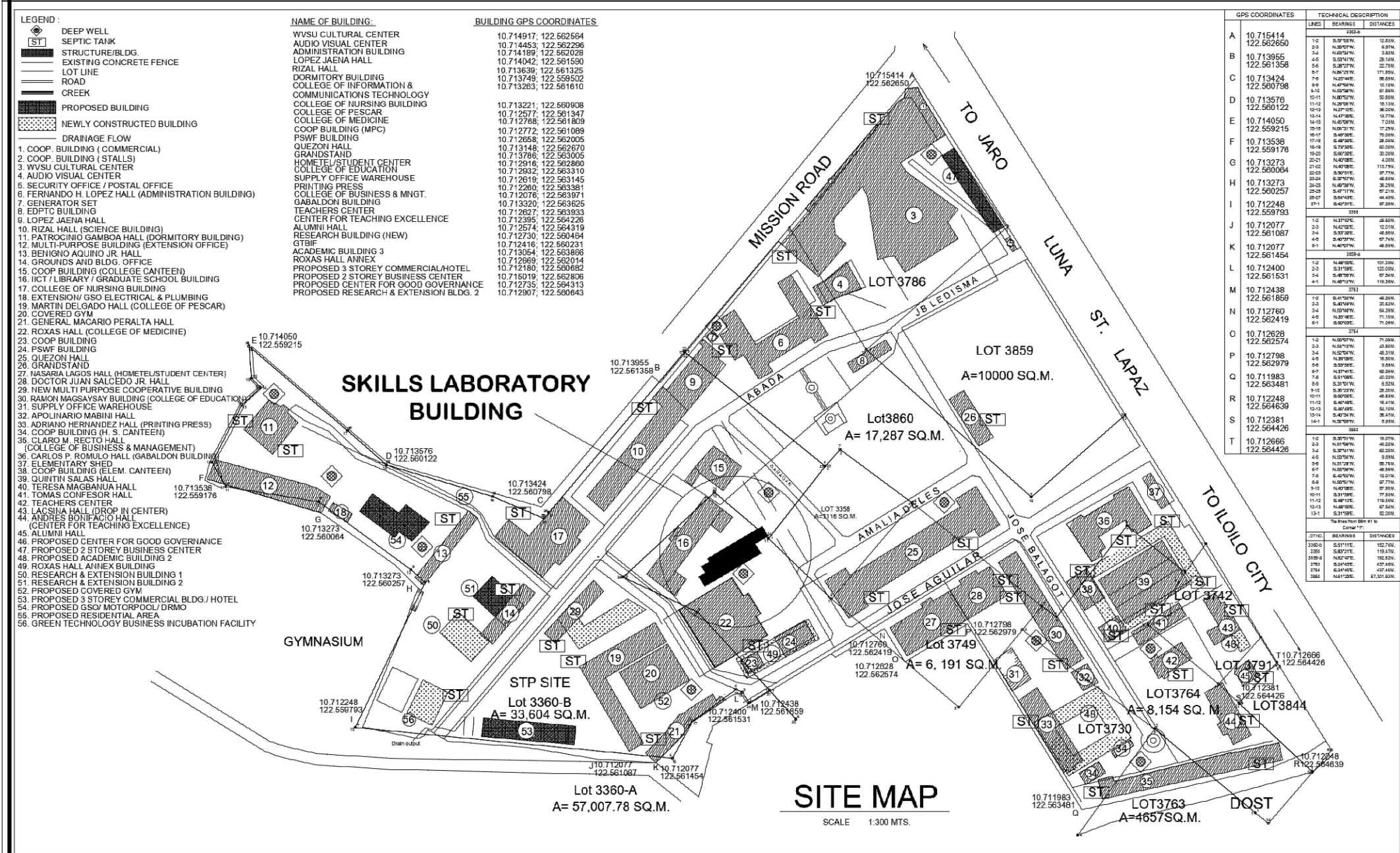
STRUCTURAL


ELECTRICAL

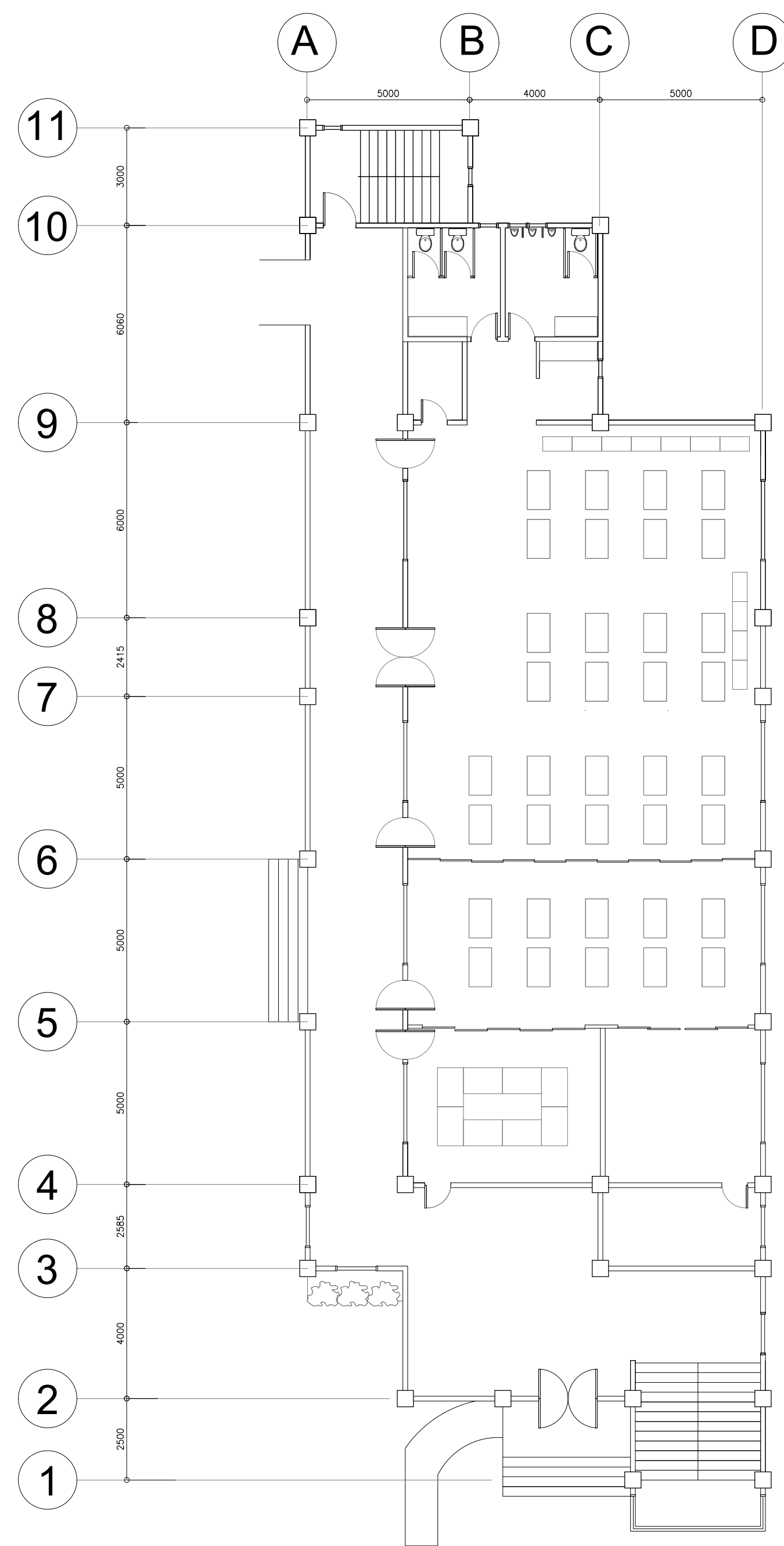
SANITARY

MECHANICAL

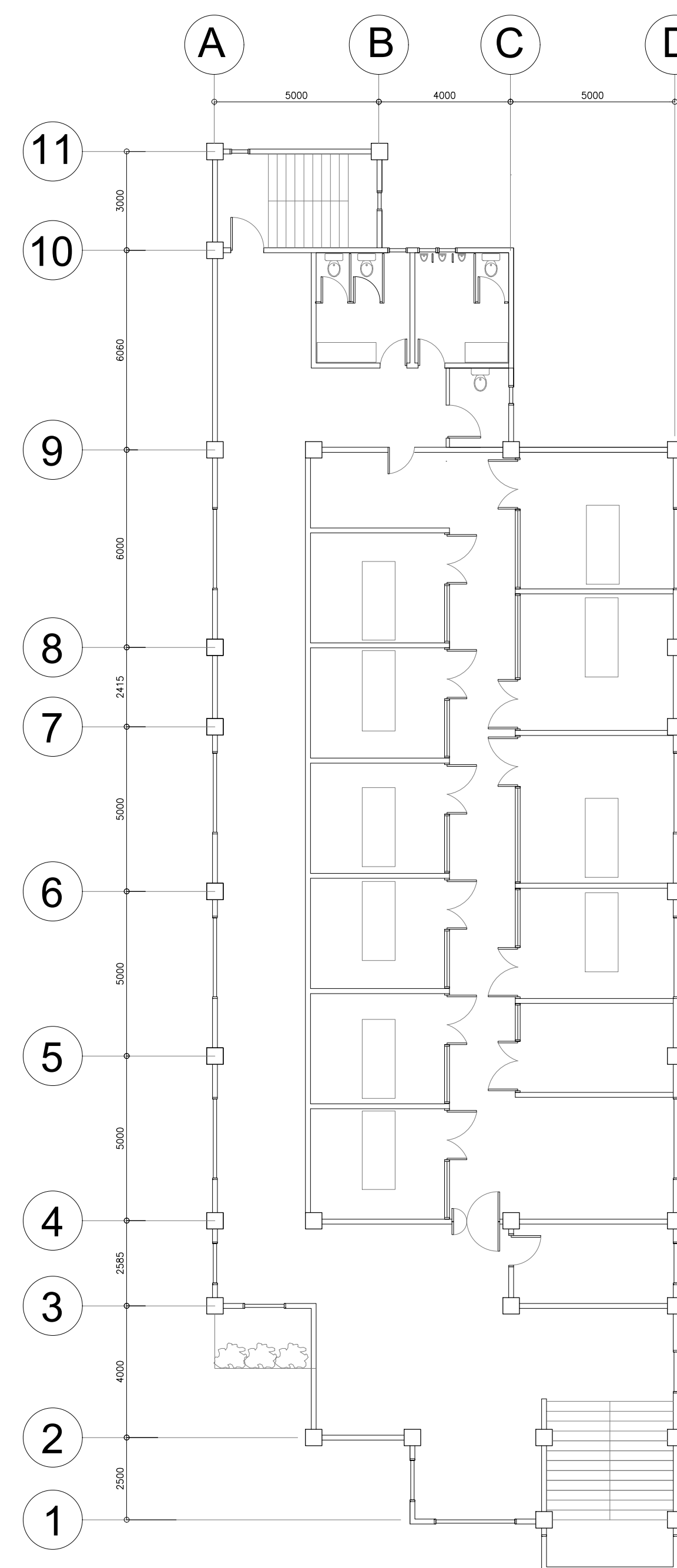
ELECTRONICS





 <b>West Visayas State University</b> (Formerly Iloilo Normal School) Luna St., La Paz, Iloilo City 5000 Iloilo, Philippines *Trunkline: (063) (033) 320-0870 to 78 * Telefax No.: (033) 320-0879 *Website: www.wvsu.edu.ph *Email Address: <a href="mailto:president@wvsu.edu.ph">president@wvsu.edu.ph</a>	DONE IN THE OFFICE FOR <b>ENGR. REANNE JOYCE SORTIGOSA</b> ENGINEER 1, CPPD	PREPARED BY: <b>ENGR. REANNE JOYCE SORTIGOSA</b> ENGINEER 1, CPPD	NOTE ALL DESIGNS, DRAWING, SPECIFICATIONS AND COPIES PREPARED AND FURNISHED BY THE ARCHITECT IN CONNECTION WITH THE PROJECT ARE INSTRUMENTS OF PROFESSIONAL SERVICE, THEY ARE THE PROPERTY OF THE ARCHITECT, WHETHER THEY ARE EXECUTED OR NOT, THEY ARE NOT TO BE REPRODUCED OR USED ON OTHER WORK EXCEPT IF WRITTEN AGREEMENT WITH THE ARCHITECT.	PROJECT TITLE/LOCATION: <b>SKILLS LABORATORY (PHASE 2)</b> WVSU MAIN CAMPUS, LA PAZ, ILOILO CITY	CONCURRED BY: <b>AR. GERARD L. IBAÑEZ, UAP</b> DIC HEAD, CPPD	RECOMMENDING APPROVAL: <b>WILHELM P. CERBO, ED.D.</b> DIRECTOR, UPDD <b>PORFERIO J. BARLAS JR., PH.D.</b> VP FOR ADMIN & FINANCE	APPROVED BY: <b>JOSELITO F. VILLARUZ</b> M.D.,PH.D.,FPFS UNIVERSITY PRESIDENT	SHEET CONTENTS AS INDICATED DRAWN BY: DATE START: DATE FINISH: REV. NO.:	SHEET NO.: <b>A</b>
	<b>CAMPUS PHYSICAL PLANNING OFFICE</b> ENGINEER 1, CPPD	RA 9266, ART 4, SEC 33	WVSU MAIN CAMPUS, LA PAZ, ILOILO CITY	DIRECTOR, UPDD	VP FOR ADMIN & FINANCE	UNIVERSITY PRESIDENT	REV. NO.:	SHEET NO.:	



**GROUND FLOOR PLAN**

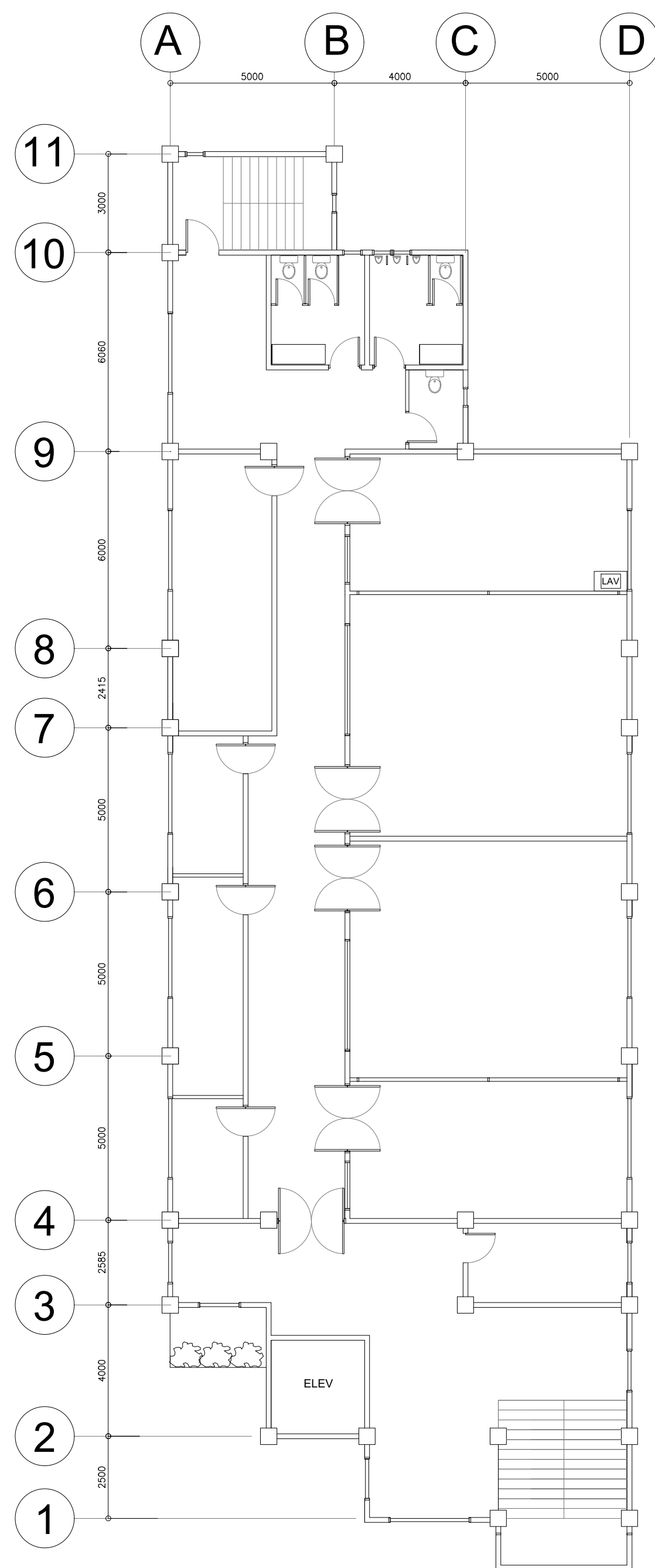


**2ND FLOOR PLAN**

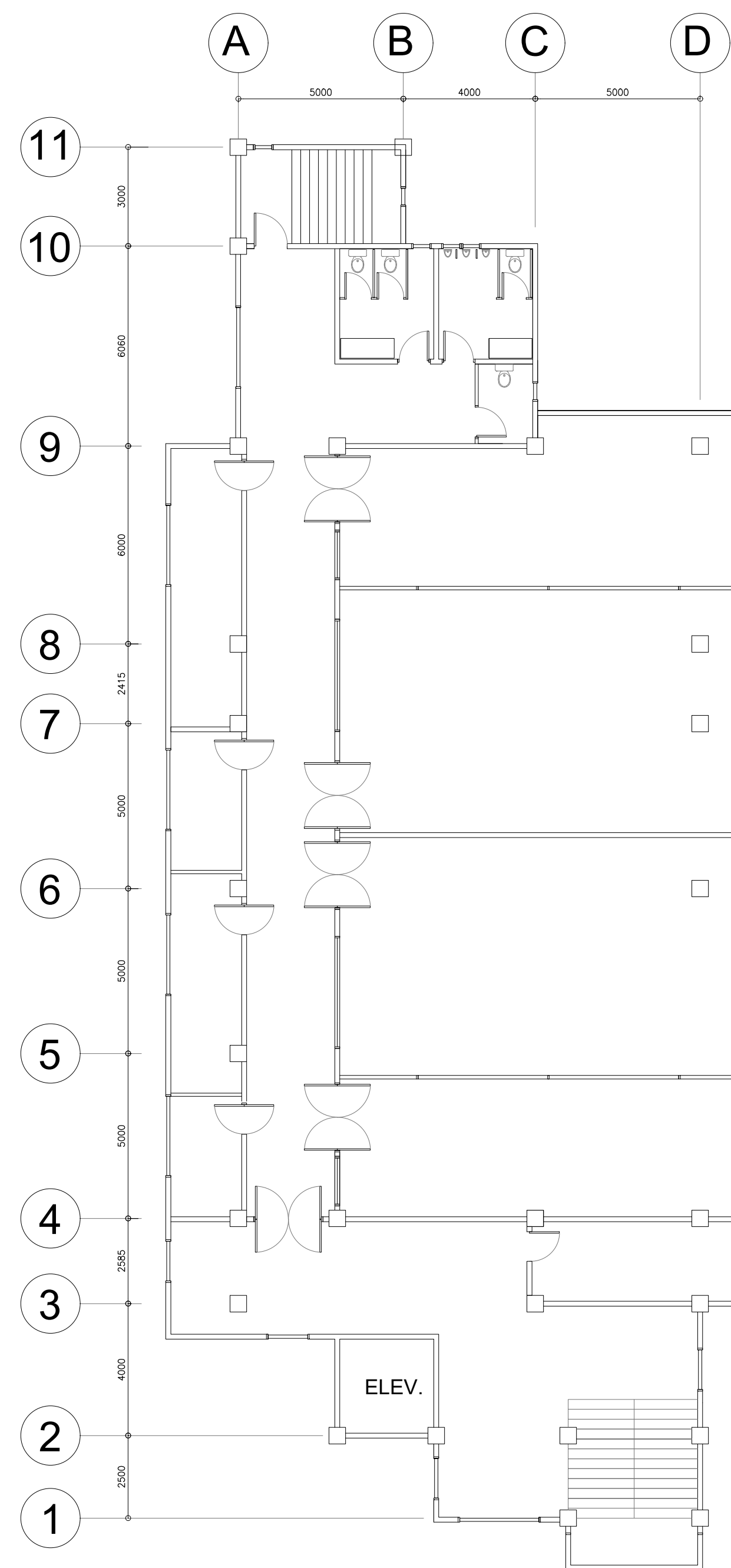
 <b>West Visayas State University</b> (Formerly Iloilo Normal School) Luna St., La Paz, Iloilo City 5000 Iloilo, Philippines *Trunkline: (063) (033) 320-0870 to 78 * Telefax No.: (033) 320-0879 *Website: www.wvsu.edu.ph *Email Address: <a href="mailto:president@wvsu.edu.ph">president@wvsu.edu.ph</a>  <b>CAMPUS PHYSICAL PLANNING OFFICE</b>	DONE IN THE OFFICE FOR PREPARED BY: ENGR. REANNE JOYCE SORTIGOSA ENGINEER 1, CPPD	NOTE ALL DESIGNS, DRAWING, SPECIFICATIONS AND COPIES PREPARED AND FURNISHED BY THE ARCHITECT IN CONNECTION WITH THE PROJECT ARE INSTRUMENTS OF PROFESSIONAL SERVICE. THEY ARE THE PROPERTY OF THE ARCHITECT. WHETHER THEY ARE EXECUTED OR NOT, THEY ARE NOT TO BE REPRODUCED OR USED ON OTHER WORK EXCEPT IF WRITTEN AGREEMENT WITH THE ARCHITECT. RA 9266, ART 4, SEC 33	PROJECT TITLE/LOCATION: <b>SKILLS LABORATORY (PHASE 2)</b> WVSU MAIN CAMPUS, LA PAZ, ILOILO CITY	CONCURRED BY: AR. GERARD L. IBAÑEZ, UAP DIC HEAD, CPPD	RECOMMENDING APPROVAL: WILHELM P. CERBO, Ed.D. DIRECTOR, UPDG PORFERIO J. BARLAS JR., PH.D. VP FOR ADMIN & FINANCE	APPROVED BY: JOSELITO F. VILLARUZ M.D.,PH.D.,FPPS UNIVERSITY PRESIDENT	SHEET CONTENTS AS INDICATED DRAWN BY: DATE START: DATE FINISH: REV. NO.:	SHEET NO.: <b>A</b> -
	CONTINUE ON SHEET A-1							

ILOILO CITY


ARCHITECTURAL



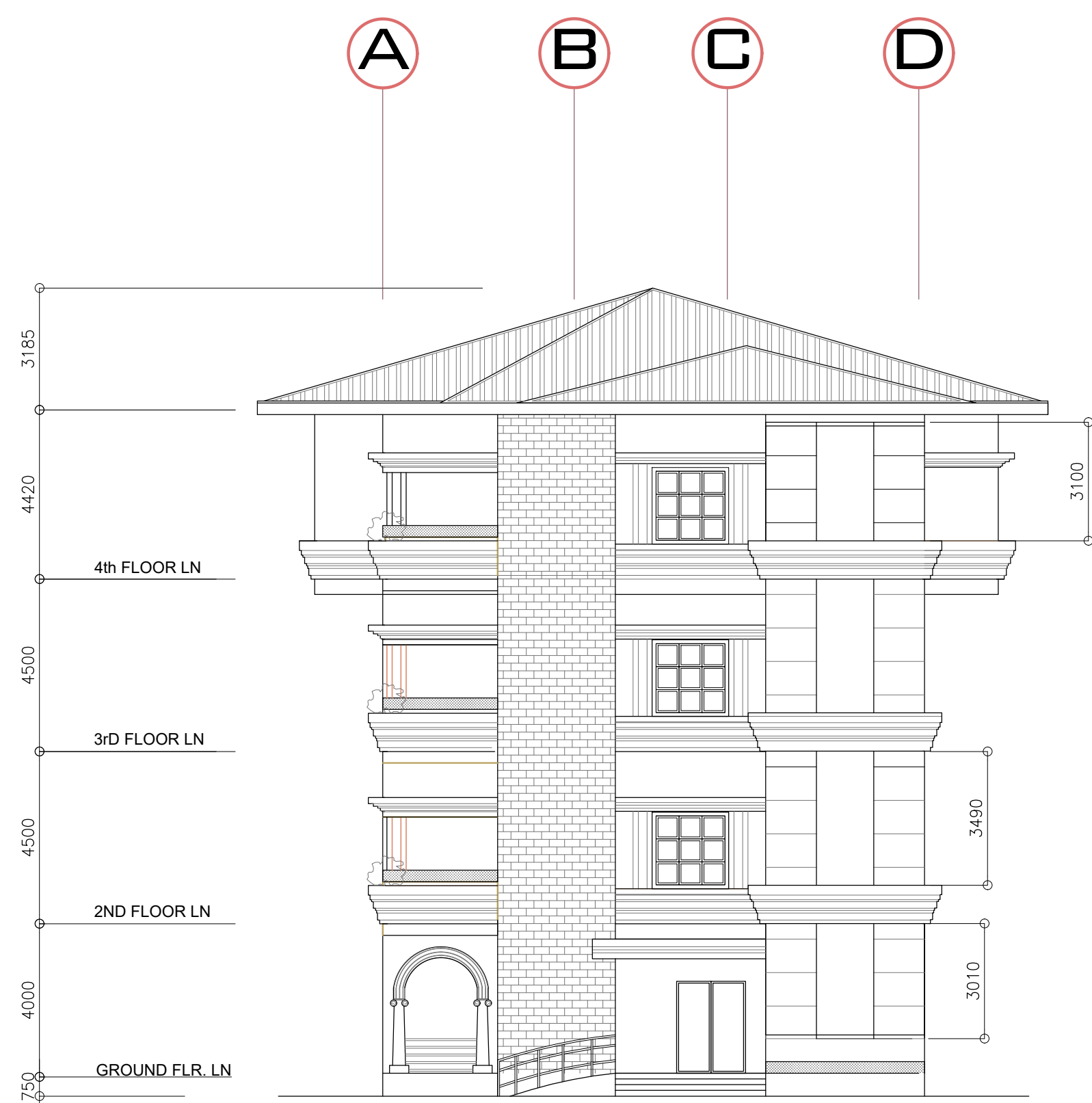
**3RD FLOOR PLAN**  
 SCALE



**4TH FLOOR PLAN**  
 SCALE

 <b>West Visayas State University</b> (Formerly Iloilo Normal School) Luna St., La Paz, Iloilo City 5000 Iloilo, Philippines *Trunkline: (063) (033) 320-0870 to 78 * Telefax No.: (033) 320-0879 *Website: www.wvsu.edu.ph *Email Address: <a href="mailto:president@wvsu.edu.ph">president@wvsu.edu.ph</a> <b>CAMPUS PHYSICAL PLANNING OFFICE</b>	DONE IN THE OFFICE FOR PREPARED BY: ENGR. REANNE JOYCE SORTIGOSA ENGINEER 1, CPPD	NOTE ALL DESIGNS, DRAWING, SPECIFICATIONS AND COPIES PREPARED AND FURNISHED BY THE ARCHITECT IN CONNECTION WITH THE PROJECT ARE INSTRUMENTS OF PROFESSIONAL SERVICE. THEY ARE THE PROPERTY OF THE ARCHITECT. WHETHER THEY ARE EXECUTED OR NOT, THEY ARE NOT TO BE REPRODUCED OR USED IN OTHER WORK EXCEPT IF WRITTEN AGREEMENT WITH THE ARCHITECT. RA 9266, ART 4, SEC 33	PROJECT TITLE/LOCATION: <b>SKILLS LABORATORY (PHASE 2)</b> WVSU MAIN CAMPUS, LA PAZ, ILOILO CITY	CONCURRED BY: AR. GERARD L. IBAÑEZ, UAP DIC HEAD, CPPD	RECOMMENDING APPROVAL: WILHELM P. CERBO, Ed.D. DIRECTOR, UPDD	APPROVED BY: PORFERIO J. BARLAS JR., PH.D. VP FOR ADMIN & FINANCE	APPROVED BY: JOSELITO F. VILLARUZ M.D.,PH.D.,FPPS UNIVERSITY PRESIDENT	SHEET CONTENTS AS INDICATED DRAWN BY: DATE START: DATE FINISH: REV. NO.:	SHEET NO.: <b>A</b>
									-


COPYRIGHT © 2011



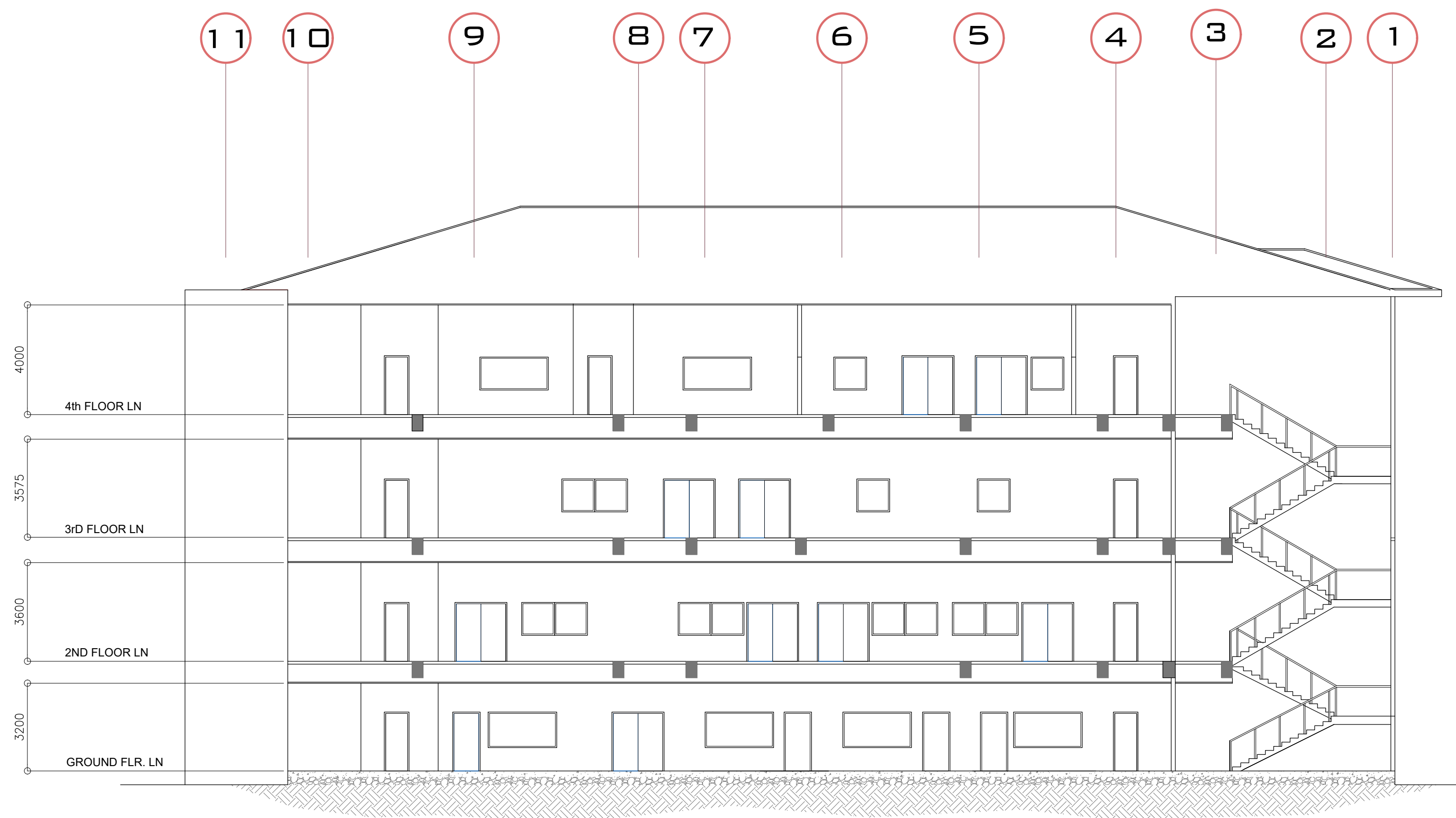
**FRONT SIDE ELEVATION**  
 SCALE 1:150M



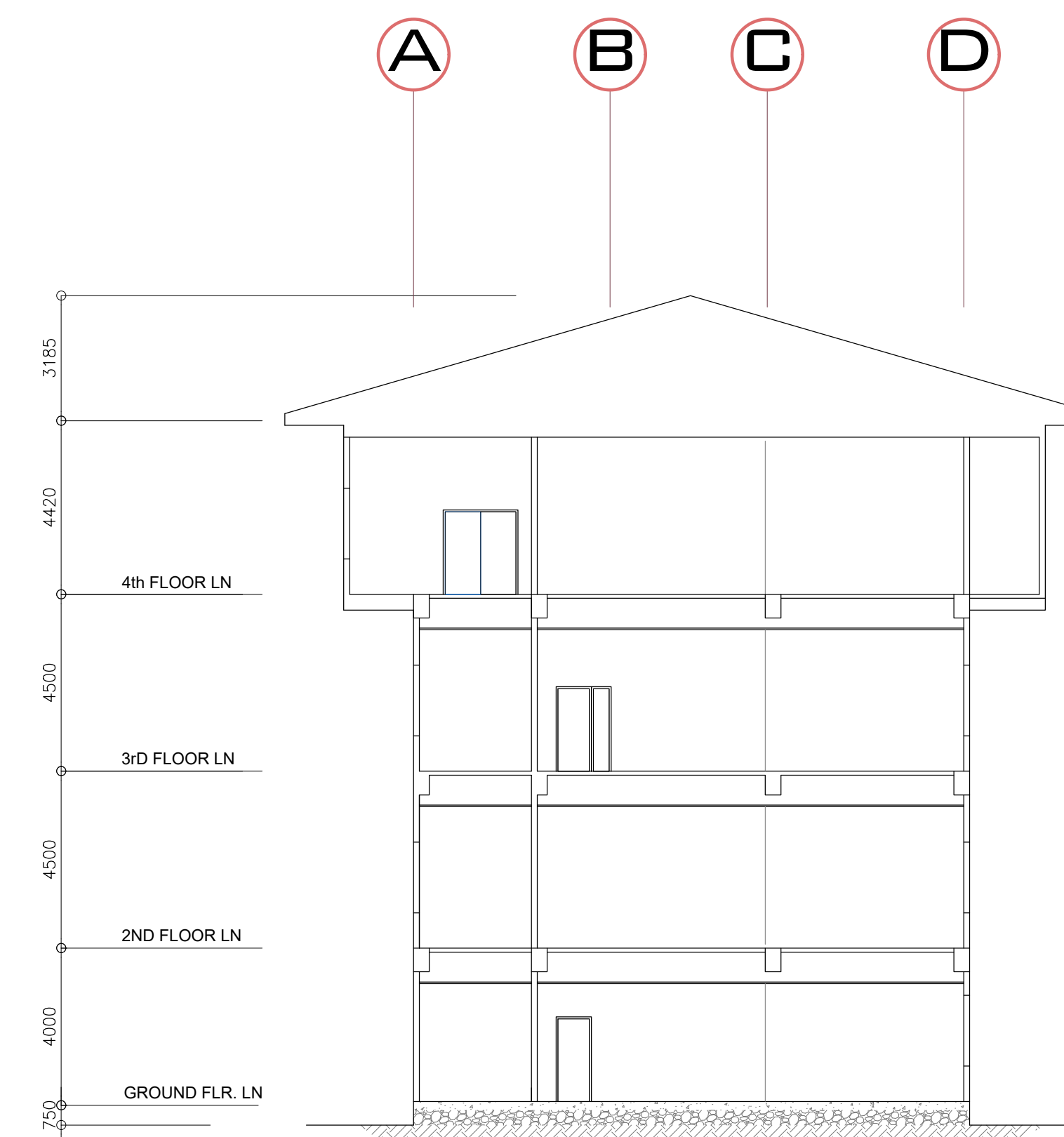
**LEFT SIDE ELEVATION**  
 SCALE 1:150M

 <b>West Visayas State University</b> (Formerly Iloilo Normal School) Luna St., La Paz, Iloilo City 5000 Iloilo, Philippines *Trunkline: (063) (033) 320-0870 to 78 * Telefax No.: (033) 320-0879 *Website: www.wvsu.edu.ph *Email Address: <a href="mailto:president@wvsu.edu.ph">president@wvsu.edu.ph</a> <b>CAMPUS PHYSICAL PLANNING OFFICE</b>	DONE IN THE OFFICE FOR PREPARED BY: ENGR. REANNE JOYCE SORTIGOSA ENGINEER 1, CPPD	NOTE ALL DESIGNS, DRAWING, SPECIFICATIONS AND COPIES PREPARED AND FURNISHED BY THE ARCHITECT IN CONNECTION WITH THE PROJECT ARE INSTRUMENTS OF PROFESSIONAL SERVICE. THEY ARE THE PROPERTY OF THE ARCHITECT. WHETHER THEY ARE EXECUTED OR NOT, THEY ARE NOT TO BE REPRODUCED OR USED ON OTHER WORK EXCEPT IF WRITTEN AGREEMENT WITH THE ARCHITECT. RA 9266, ART 4, SEC 33	PROJECT TITLE/LOCATION: <b>SKILLS LABORATORY (PHASE 2)</b> WVSU MAIN CAMPUS, LA PAZ, ILOILO CITY	CONCURRED BY: AR. GERARD L. IBAÑEZ, UAP DIC HEAD, CPPD	RECOMMENDING APPROVAL: WILHELM P. CERBO, Ed.D. DIRECTOR, UPDG PORFERIO J. BARLAS JR., PH.D. VP FOR ADMIN & FINANCE	APPROVED BY: JOSELITO F. VILLARUZ M.D.,PH.D.,FPPS UNIVERSITY PRESIDENT	SHEET CONTENTS AS INDICATED DRAWN BY: DATE START: DATE FINISH: REV. NO.:	SHEET NO.: <b>A</b>
	CONTINUOUS NO. ZAJAY18011							




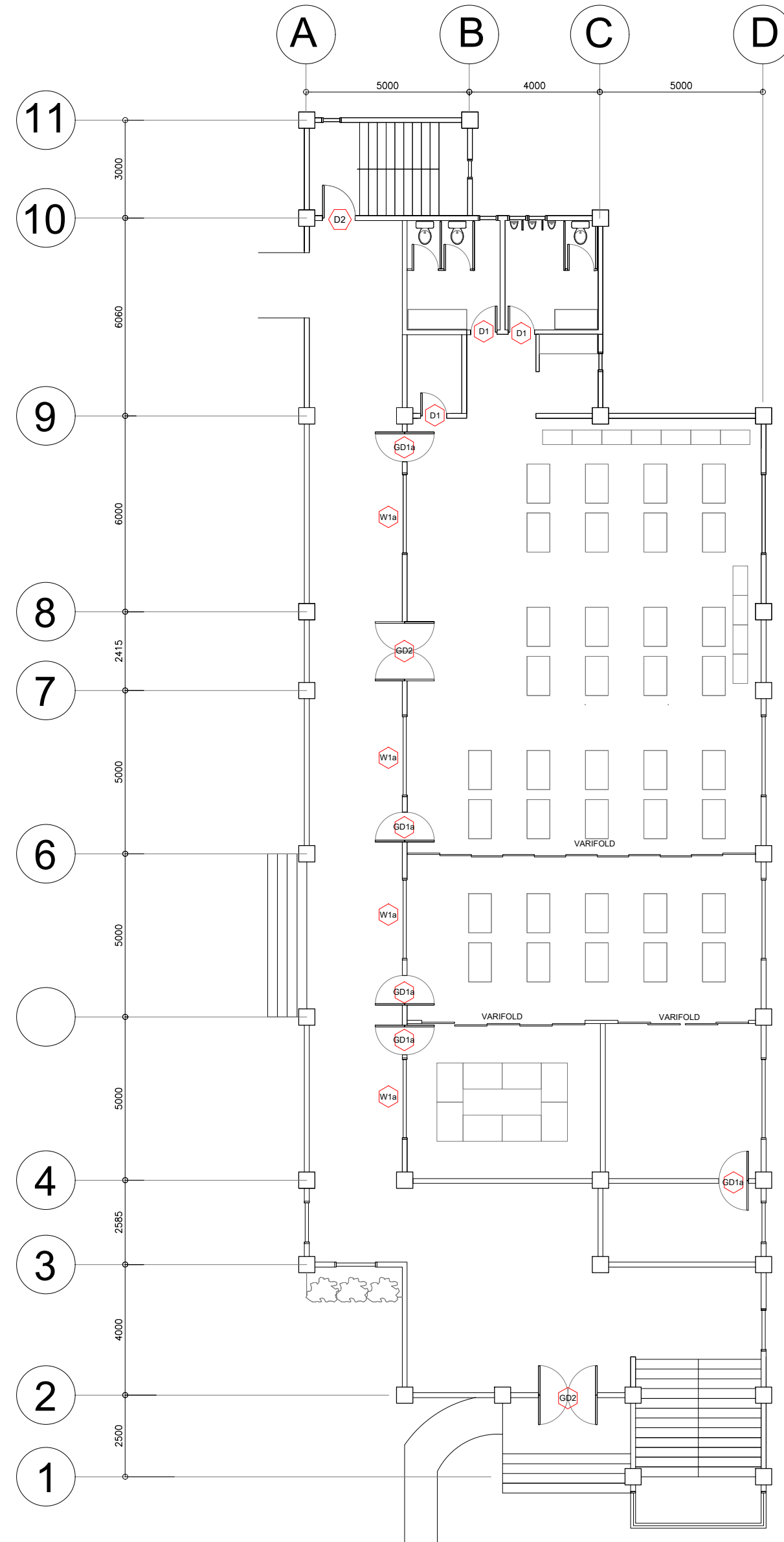


**LONGITUDNAL SECTION A - A**  
 SCALE 1:150M



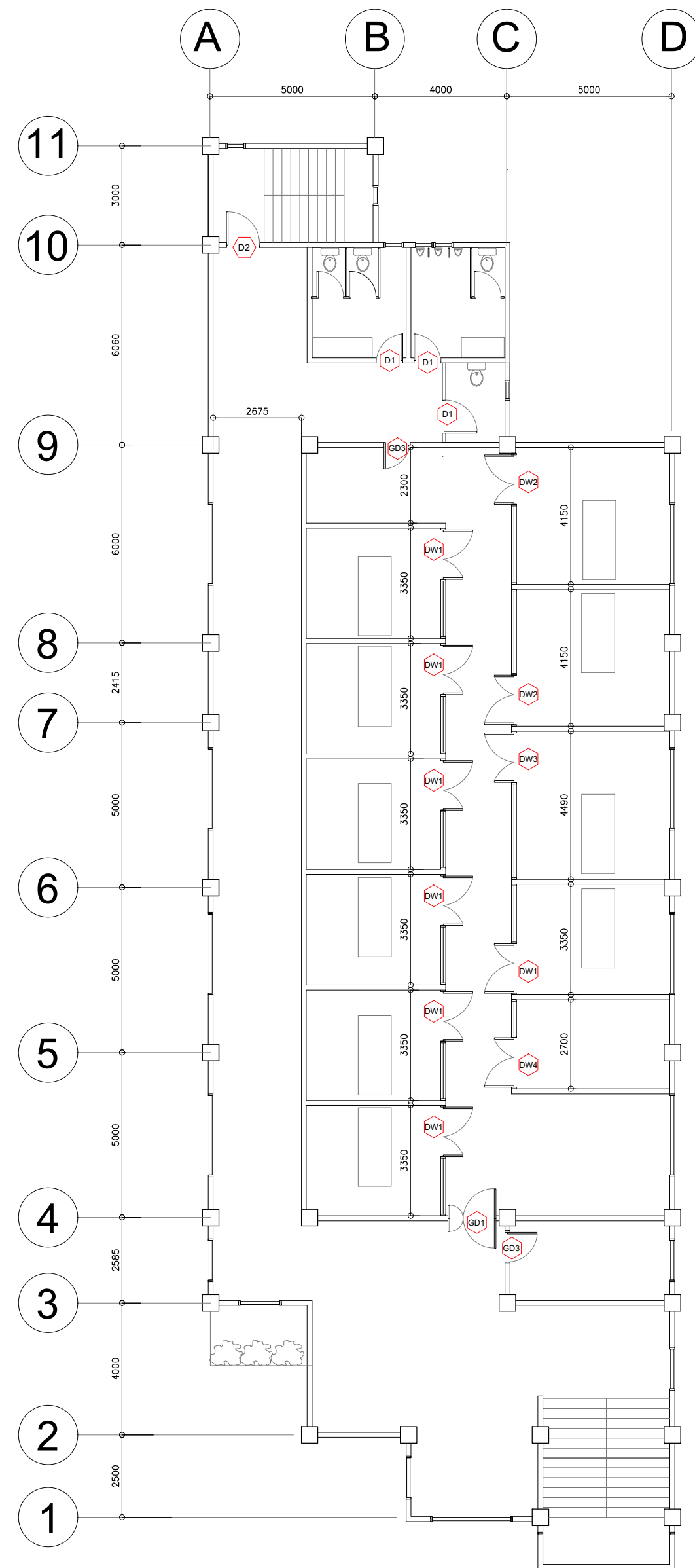
**CROSS SECTION B - B**  
 SCALE 1:150M

 <b>West Visayas State University</b> (Formerly Iloilo Normal School) Luna St., La Paz, Iloilo City 5000 Iloilo, Philippines *Trunkline: (063) (033) 320-0870 to 78 * Telefax No.: (033) 320-0879 *Website: www.wvsu.edu.ph *Email Address: <a href="mailto:president@wvsu.edu.ph">president@wvsu.edu.ph</a> <b>CAMPUS PHYSICAL PLANNING OFFICE</b>	DONE IN THE OFFICE FOR PREPARED BY: ENGR. REANNE JOYCE SORTIGOSA ENGINEER 1, CPPD	NOTE ALL DESIGNS, DRAWING, SPECIFICATIONS AND COPIES PREPARED AND FURNISHED BY THE ARCHITECT IN CONNECTION WITH THE PROJECT ARE INSTRUMENTS OF PROFESSIONAL SERVICE. THEY ARE THE PROPERTY OF THE ARCHITECT. WHETHER THEY ARE EXECUTED OR NOT, THEY ARE NOT TO BE REPRODUCED OR USE ON OTHER WORK EXCEPT IF WRITTEN AGREEMENT WITH THE ARCHITECT. RA 9266, ART 4, SEC 33	PROJECT TITLE/LOCATION: <b>SKILLS LABORATORY (PHASE 2)</b> WVSU MAIN CAMPUS, LA PAZ, ILOILO CITY	CONCURRED BY: AR. GERARD L. IBAÑEZ, UAP DIC HEAD, CPPD	RECOMMENDING APPROVAL: WILHELM P. CERBO, Ed.D. DIRECTOR, UPDD PORFERIO J. BARLAS JR., PH.D. VP FOR ADMIN & FINANCE	APPROVED BY: JOSELITO F. VILLARUZ M.D.,PH.D.,FPPS UNIVERSITY PRESIDENT	SHEET CONTENTS AS INDICATED DRAWN BY: DATE START: DATE FINISH: REV. NO.:	SHEET NO.: <b>A</b>
	CONTINUOUS NO: AJ1418011							



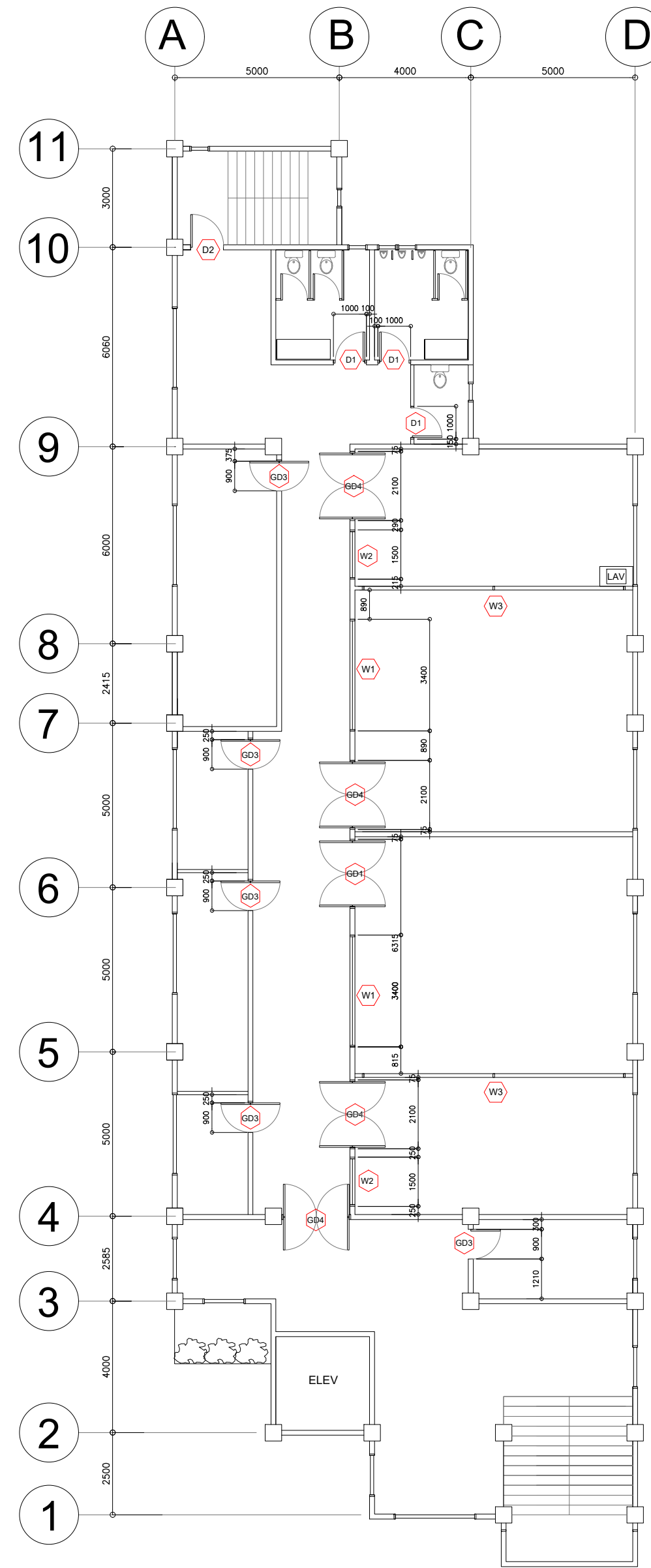
**GROUND FLOOR PLAN**

SCALE: 1:70



**SECOND FLOOR PLAN**

SCALE: 1:70

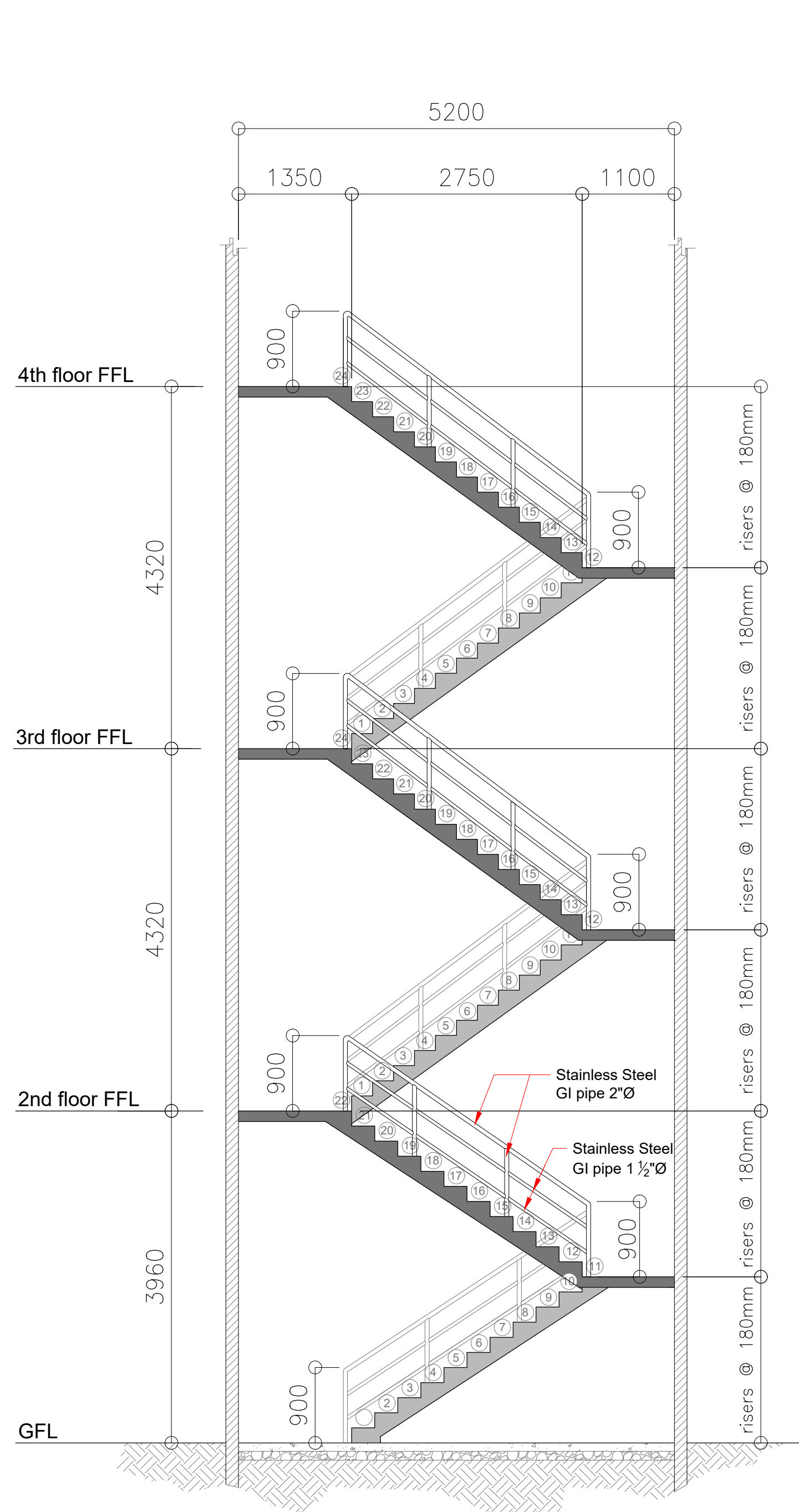


**THIRD FLOOR PLAN**

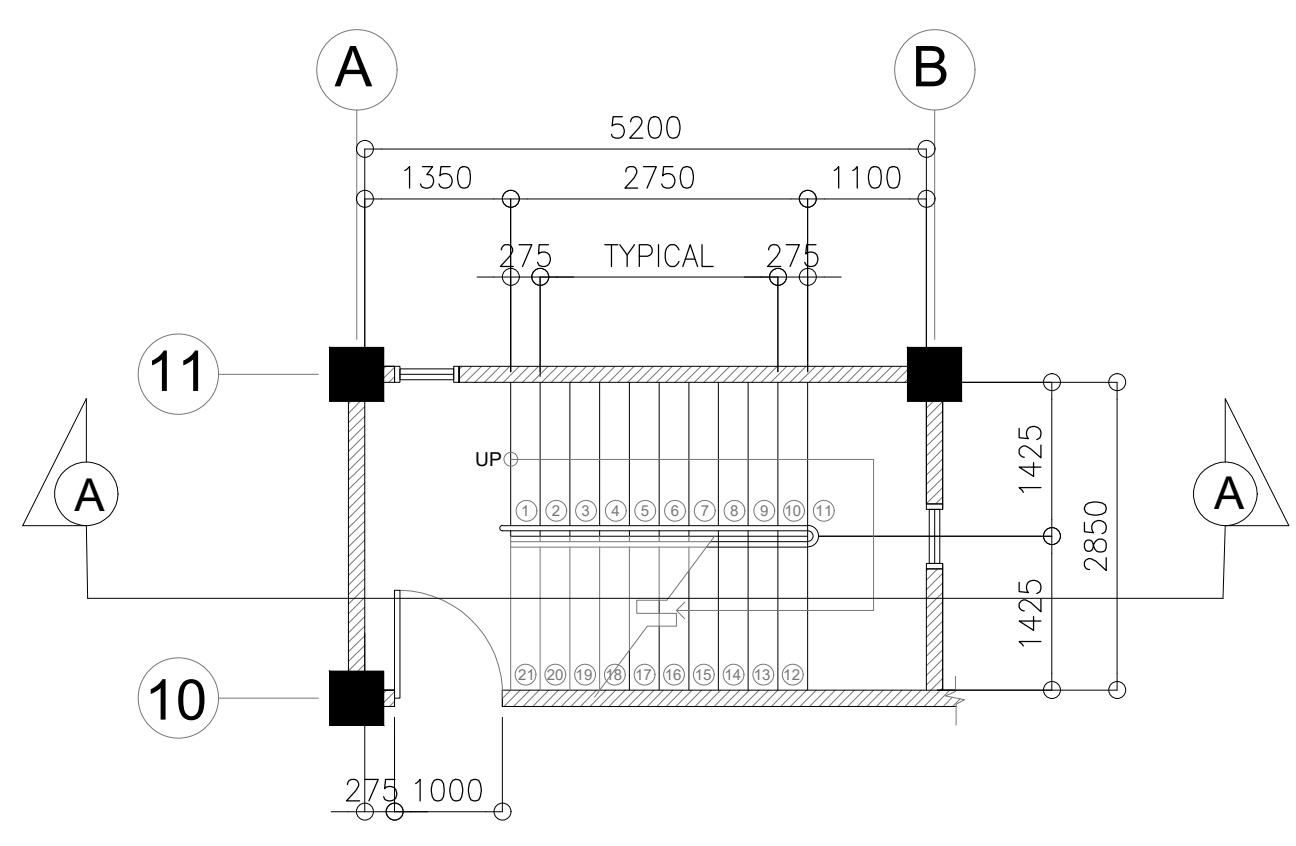
SCALE: 1:70

SCHEDULE OF DOORS & WINDOWS				
FFL ∇				
LOCATIONS:	2nd floor - toilets	2nd floor - fire exit stair		
QUANTITY:	3 sets	1 set		
DESCRIPTION:	panel door	panic release metal door		
FFL ∇				
LOCATIONS:	Ground floor	2nd floor	Ground floor	2nd floor
QUANTITY:	5 sets	1 set	2 sets	2 sets
DESCRIPTION:	clear swing glass door & clear fix transom window on powder coated aluminum frame	clear swing glass door on powder coated aluminum frame	clear swing glass door & clear fix transom window on powder coated aluminum frame	clear swing glass door on powder coated aluminum frame
FFL ∇				
LOCATIONS:	Ground floor	2nd floor	2nd floor	2nd floor
QUANTITY:	7 sets	2 sets	1 set	1 set
DESCRIPTION:	clear swing glass door & clear fixed on powder coated aluminum frame	clear swing glass door & clear fixed on powder coated aluminum frame	clear swing glass door & clear fixed on powder coated aluminum frame	clear swing glass door & clear fixed on powder coated aluminum frame
FFL ∇				
LOCATIONS:	Ground floor	3rd floor	3rd floor	
QUANTITY:	4 sets	2 sets	2 sets	
DESCRIPTION:	clear fixed glass window & clear awning glass window on powder coated aluminum frame	clear fixed glass window on powder coated aluminum frame	clear fixed glass window on powder coated aluminum frame	
FFL ∇				
LOCATIONS:	3rd floor			
QUANTITY:	2 sets			
DESCRIPTION:	clear fixed glass window on powder coated aluminum frame			

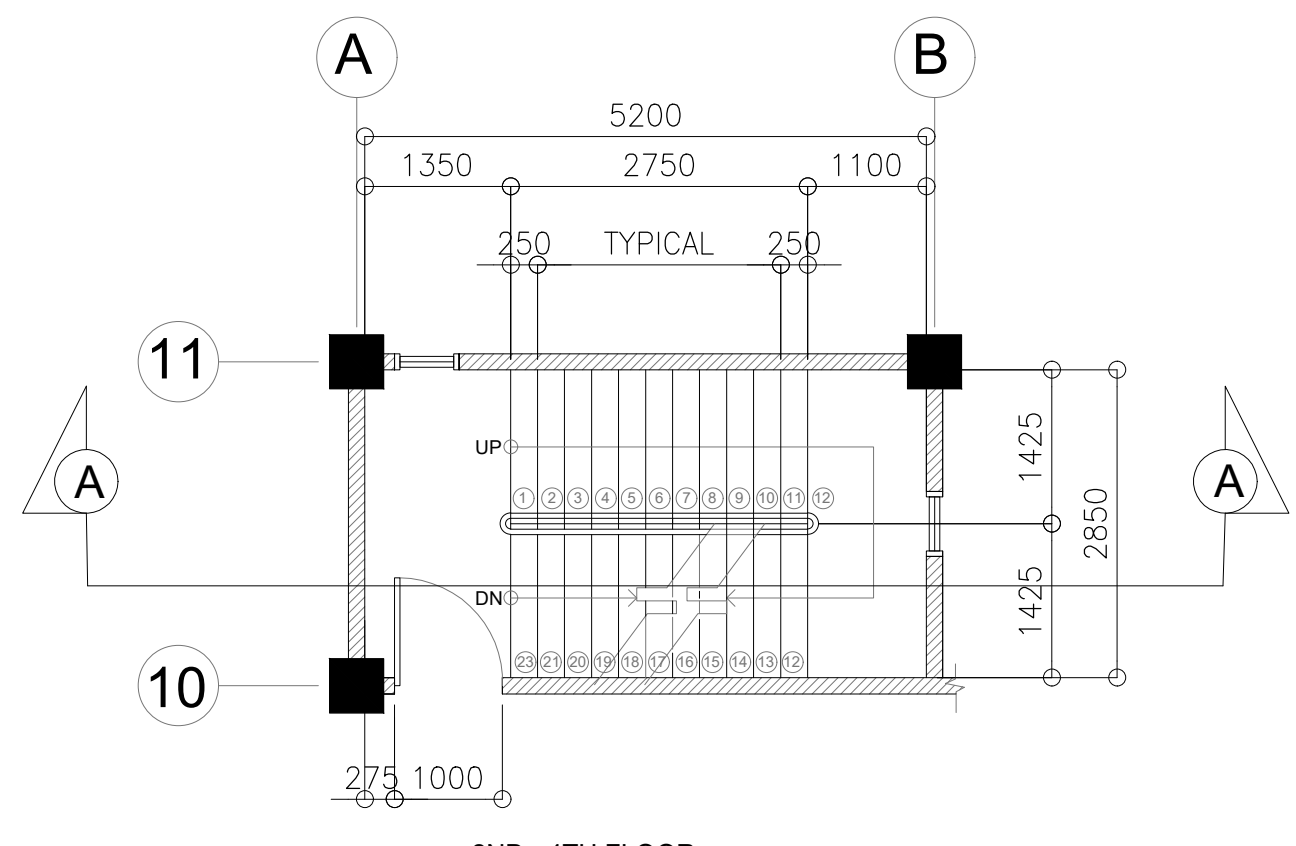
<p><b>West Visayas State University</b> (Formerly Iloilo Normal School) Luna St., La Paz, Iloilo City 5000 Iloilo, Philippines</p> <p>*Trunkline: (063) (033) 320-0870 to 78 * Telefax No.: (033) 320-0879 *Website: www.wvsu.edu.ph *Email Address: <a href="mailto:president@wvsu.edu.ph">president@wvsu.edu.ph</a></p> <p><b>CAMPUS PHYSICAL PLANNING OFFICE</b></p>	<p>DONE IN THE OFFICE FOR</p>	<p>PREPARED BY:</p> <p>ENGR. REANNE JOYCE SORTIGOSA</p> <p>ENGINEER 1, CPPD</p>	<p>NOTE</p> <p>ALL DESIGNS, DRAWING, SPECIFICATIONS AND COPIES PREPARED AND FURNISHED BY THE ARCHITECT IN CONNECTION WITH THE PROJECT ARE INSTRUMENTS OF PROFESSIONAL SERVICE. THEY ARE THE PROPERTY OF THE ARCHITECT. WHETHER THEY ARE EXECUTED OR NOT, THEY ARE NOT TO BE REPRODUCED OR USED ON OTHER WORK EXCEPT IF WRITTEN AGREEMENT WITH THE ARCHITECT.</p> <p>RA 9266, ART 4, SEC 33</p>	<p>PROJECT TITLE/LOCATION:</p> <p><b>SKILLS LABORATORY (PHASE 2)</b></p> <p>WVSU MAIN CAMPUS, LA PAZ, ILOILO CITY</p>	<p>CONCURRED BY:</p> <p>AR. GERARD L. IBAÑEZ, UAP</p> <p>DIG HEAD, CPPD</p>	<p>RECOMMENDING APPROVAL:</p> <p>WILHELM P. CERBO, Ed.D.</p> <p>DIRECTOR, UPDQ</p>	<p>APPROVED BY:</p> <p>PORFERIO J. BARLAS JR., PH.D.</p> <p>VP FOR ADMIN &amp; FINANCE</p>	<p>APPROVED BY:</p> <p>JOSELITO F. VILLARUZ M.D.,PH.D.,FPPS</p> <p>UNIVERSITY PRESIDENT</p>	<p>SHEET CONTENTS</p> <p>AS INDICATED</p> <p>DRAWN BY:</p> <p>DATE START:</p> <p>DATE FINISH:</p> <p>REV. NO.:</p>	<p>SHEET NO.:</p> <p><b>A</b></p>
	<p>CONTINUE ON: A2/A14/08/11</p>									



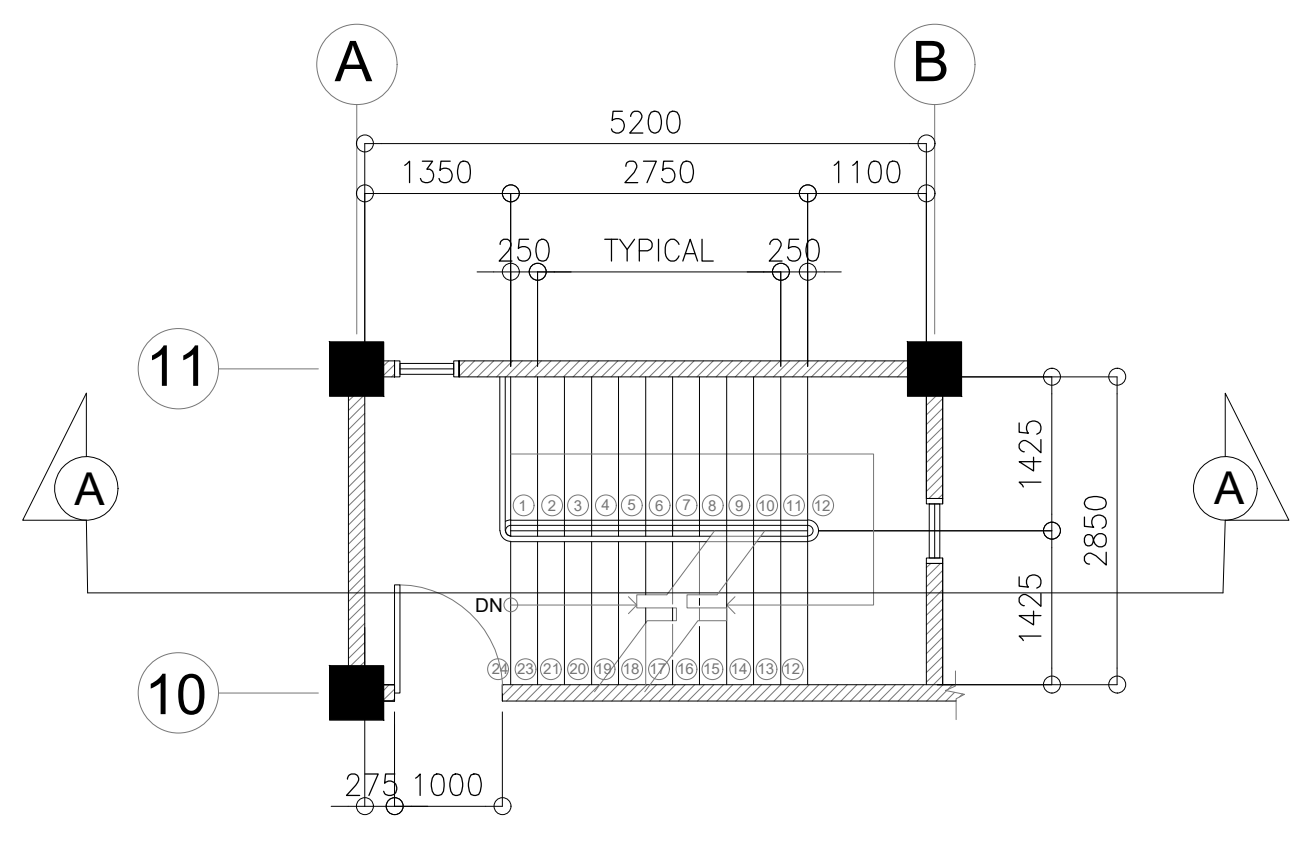
**SECTION THRU "A"**  
SCALE: 1:50



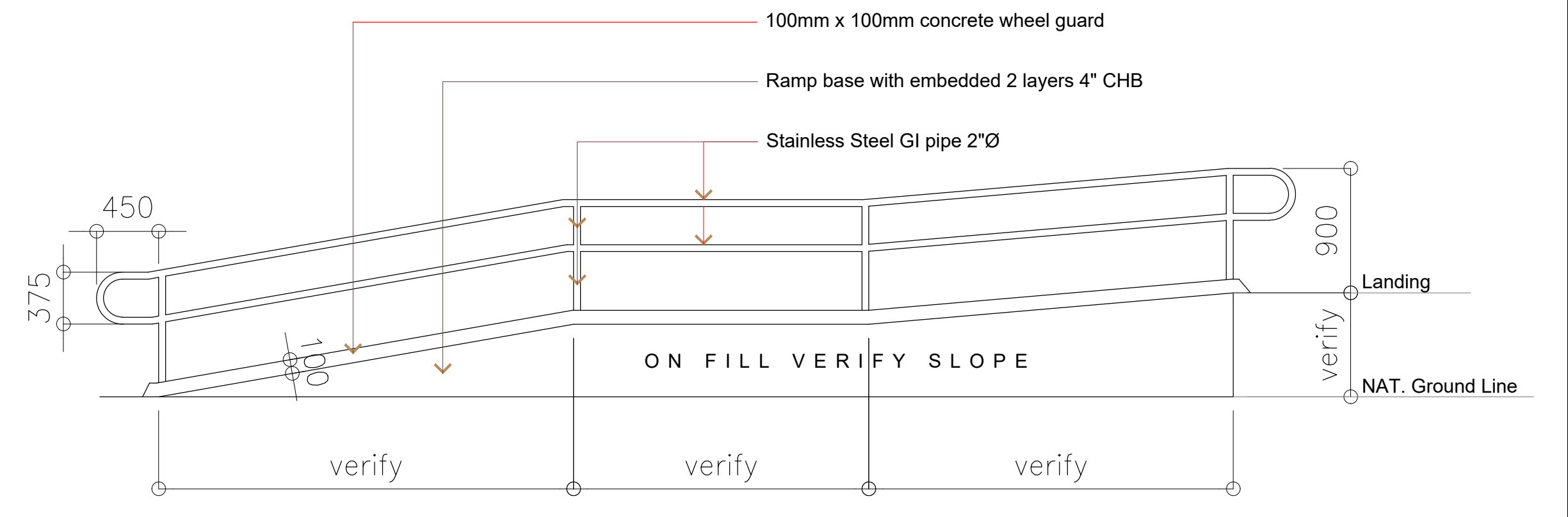
**GROUND FLOOR FIRE ESCAPE STAIRS**  
SCALE: 1:100



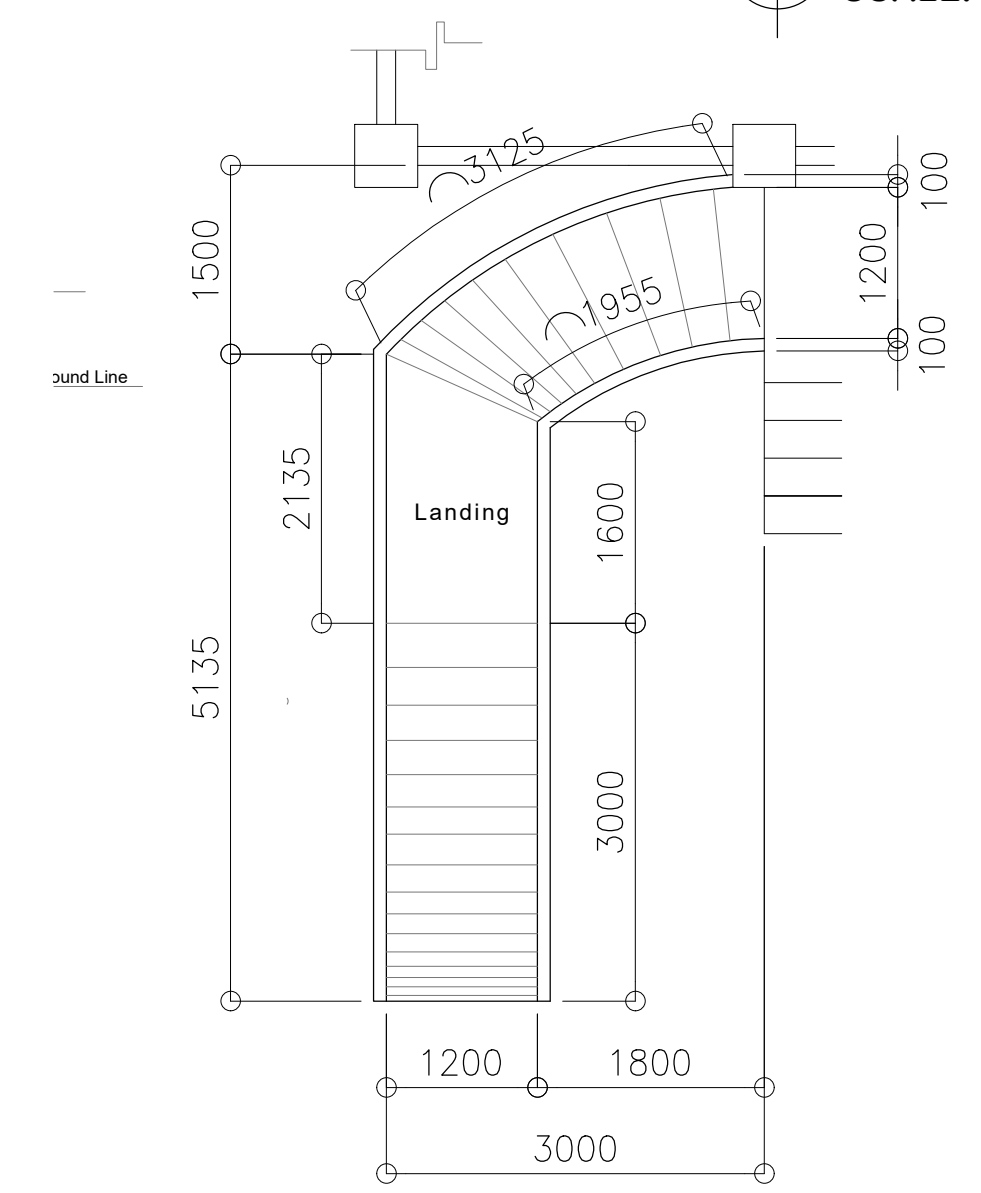
**2ND - 4TH FLOOR FIRE ESCAPE STAIRS**  
SCALE: 1:100



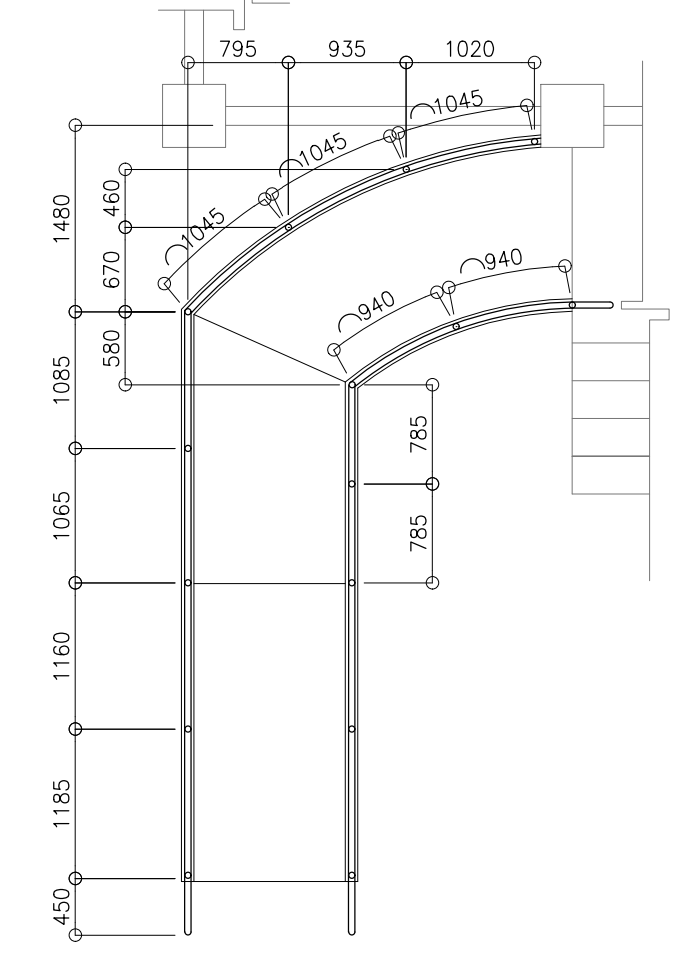
**4TH FLOOR FIRE ESCAPE STAIRS**  
SCALE: 1:100



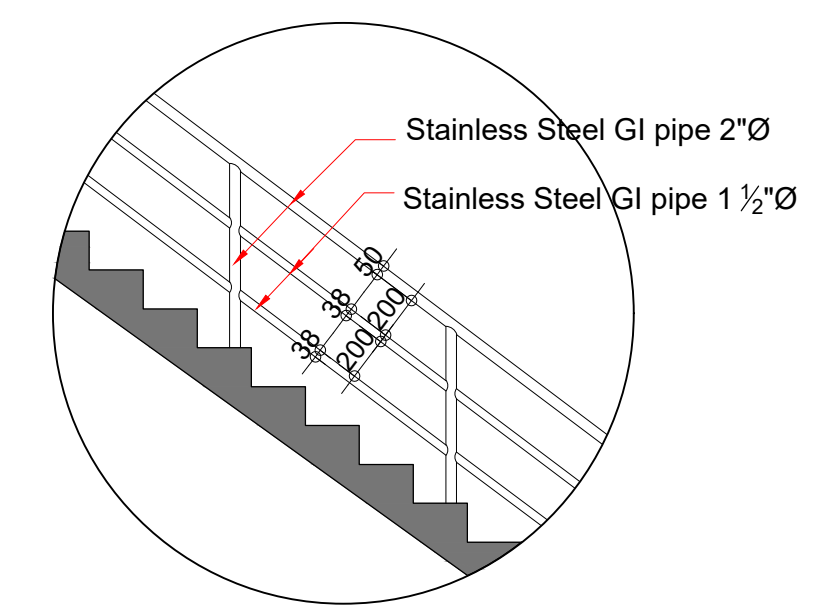
**RAMP SIDE VIEW DETAILS**  
SCALE: 1:70



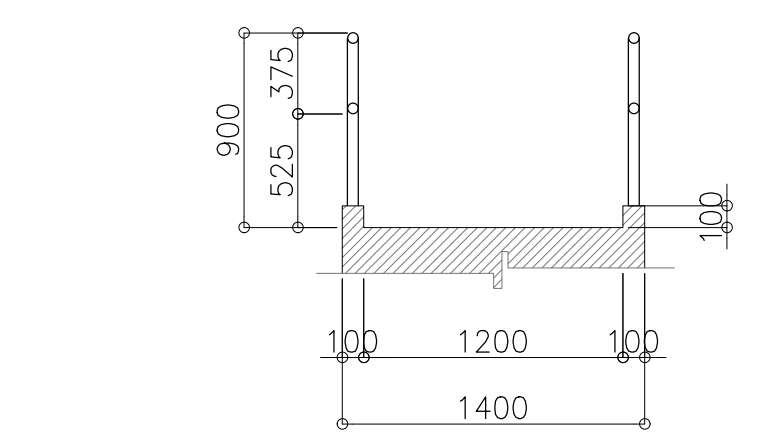
**RAMP DETAILS**  
SCALE: 1:70



**RAMP DETAILS**  
SCALE: 1:70



**RAILING DETAILS**  
SCALE: 1:35



**RAMP SECTION DETAILS**  
SCALE: 1:70

<p><b>West Visayas State University</b> (Formerly Iloilo Normal School) Luna St., La Paz, Iloilo City 5000 Iloilo, Philippines *Trunkline: (063) (033) 320-0870 to 78 *Telefax No.: (033) 320-0879 *Website: www.wvsu.edu.ph *Email Address: <a href="mailto:president@wvsu.edu.ph">president@wvsu.edu.ph</a></p> <p><b>CAMPUS PHYSICAL PLANNING OFFICE</b></p>	<p>DONE IN THE OFFICE FOR</p>	<p>PREPARED BY:</p> <p>ENGR. REANNE JOYCE SORTIGOSA</p> <p>ENGINEER 1, CPPD</p>	<p>NOTE</p> <p>ALL DESIGNS, DRAWING, SPECIFICATIONS AND COPIES PREPARED AND FURNISHED BY THE ARCHITECT IN CONNECTION WITH THE PROJECT ARE INSTRUMENTS OF PROFESSIONAL SERVICE. THEY ARE THE PROPERTY OF THE ARCHITECT. WHETHER THEY ARE EXECUTED OR NOT, THEY ARE NOT TO BE REPRODUCED OR USED IN OTHER WORK EXCEPT IF WRITTEN AGREEMENT WITH THE ARCHITECT.</p> <p>RA 9266, ART 4, SEC 33</p>	<p>PROJECT TITLE/LOCATION:</p> <p><b>SKILLS LABORATORY (PHASE 2)</b></p> <p>WVSU MAIN CAMPUS, LA PAZ, ILOILO CITY</p>	<p>CONCURRED BY:</p> <p>AR. GERARD L. IBAÑEZ, UAP</p> <p>DIG HEAD, CPPD</p>	<p>RECOMMENDING APPROVAL:</p> <p>WILHELM P. CERBO, Ed.D. DIRECTOR, UPDG</p> <p>PORFERIO J. BARLAS JR., PH.D. VP FOR ADMIN &amp; FINANCE</p>	<p>APPROVED BY:</p> <p>JOSELITO F. VILLARUZ M.D.,PH.D.,FPPS UNIVERSITY PRESIDENT</p>	<p>SHEET CONTENTS</p> <p>AS INDICATED</p> <p>DRAWN BY:</p> <p>DATE START:</p> <p>DATE FINISH:</p> <p>REV. NO.:</p>	<p>SHEET NO.:</p> <p><b>A</b></p>
	<p>ENGINEER 1, CPPD</p>	<p>RA 9266, ART 4, SEC 33</p>	<p>WVSU MAIN CAMPUS, LA PAZ, ILOILO CITY</p>	<p>DIG HEAD, CPPD</p>	<p>DIRECTOR, UPDG</p>	<p>VP FOR ADMIN &amp; FINANCE</p>	<p>UNIVERSITY PRESIDENT</p>	<p>AS INDICATED</p>	<p><b>A</b></p>