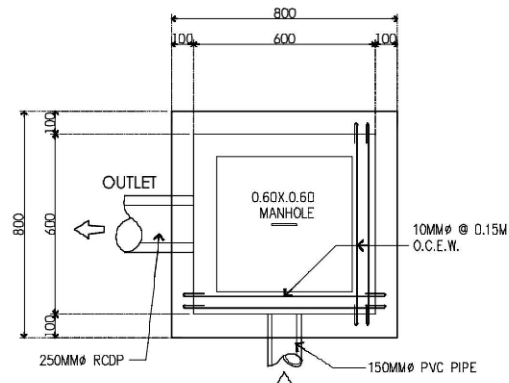
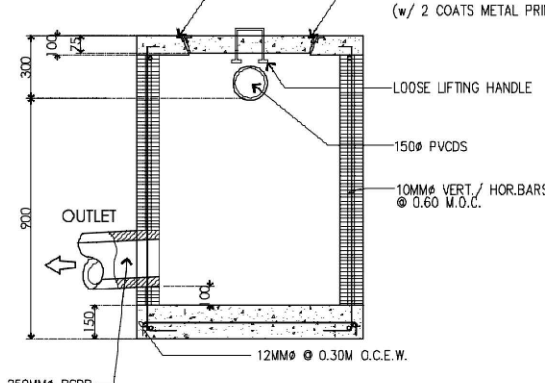


ELEVATOR/ DUMP WATER SUMP PIT DETAIL

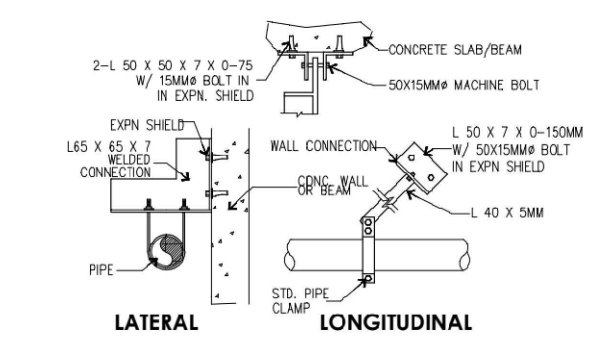
NOT TO SCALE



PLAN



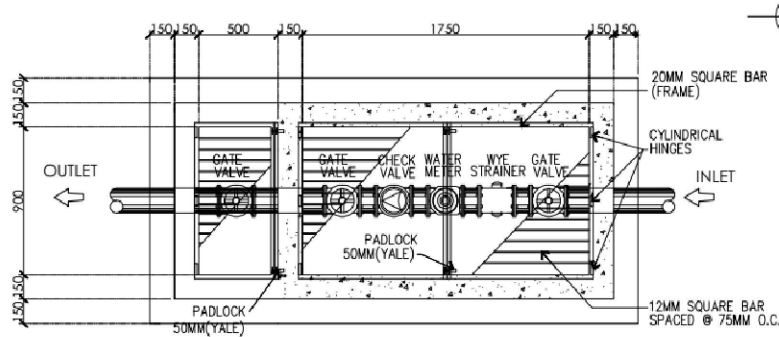
SECTION



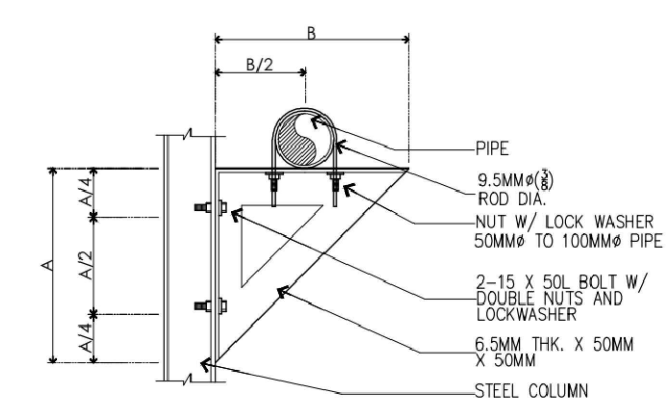
LATERAL LONGITUDINAL

TWO-WAY SWAY BRACE

NOT TO SCALE



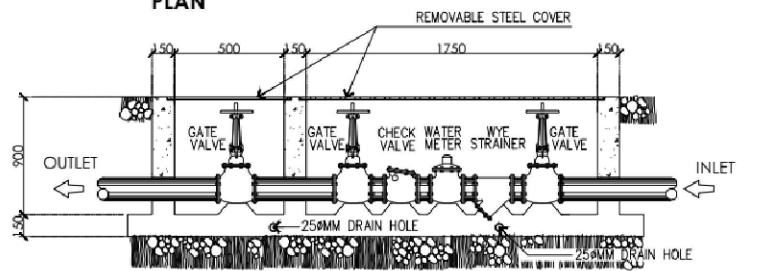
PLAN



WALL PIPE HANGER DETAIL

NOT TO SCALE

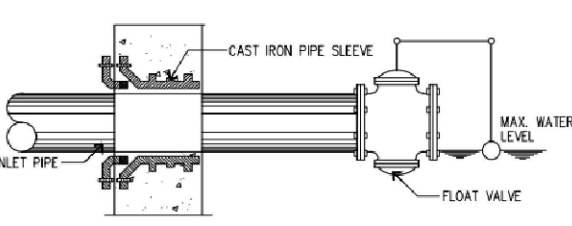
WHERE A = B 300MM LENGTH THROUGH OUT PIPE SIZE 50Ø TO 100 Ø



SECTION

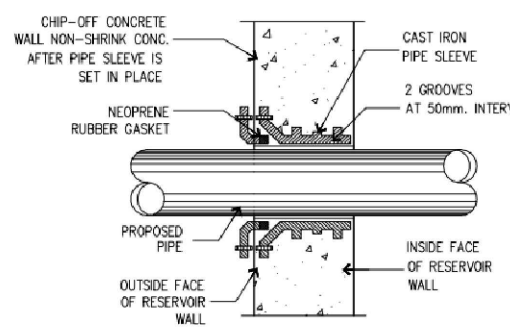
WATER METER BOX DETAIL

NOT TO SCALE



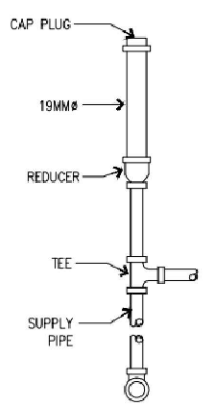
FLOAT VALVE INSTALLATION DETAIL

NOT TO SCALE



PIPE SLEEVE DETAIL

NOT TO SCALE



AIR CHAMBER DETAIL

NOT TO SCALE

PIPE SIZE	STEEL PLATE BAR	ROD. DIA.
mm.	in. (thick x width)	mm. in.
25	1 3.2 x 19 MM	9.5 3/8
32	2 3.2 x 19 MM	9.5 3/8
40	1.50 3.2 x 19 MM	9.5 3/8
50	2 3.2 x 19 MM	9.5 3/8

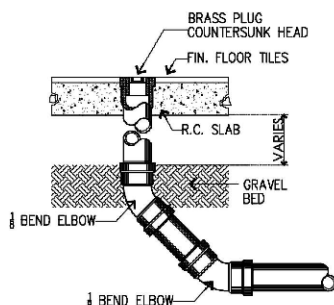
ADJUSTABLE TYPE FLAT IRON HANGER

NOT TO SCALE

PIPE SIZE	STEEL PLATE BAR	ROD. DIA.	MACHINE BOLT W/ NUT
mm.	in. LOWER(thk. x w)	mm. in.	(DIA. x L) mm.
50	2 3.2 x 25 MM	4.8 x 25 MM	9.5 3/8 9.5Ø X 100MM. L
65	2 1/2 3.2 x 25 MM	4.8 x 25 MM	9.5 3/8 9.5Ø X 115MM. L
80	3 3.2 x 25 MM	4.8 x 25 MM	9.5 3/8 9.5Ø X 127MM. L
100	4 3.2 x 25 MM	4.8 x 25 MM	9.5 3/8 12.0Ø X 165MM. L
150	6 4.8 x 32 MM	6.4 x 32 MM	12.0 1/2 12.0Ø X 216MM. L

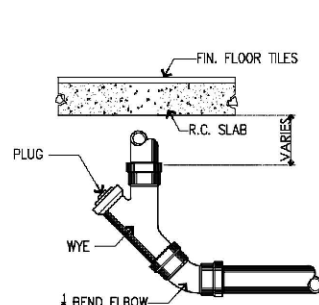
ADJUSTABLE TYPE CLEVIS HANGER

NOT TO SCALE



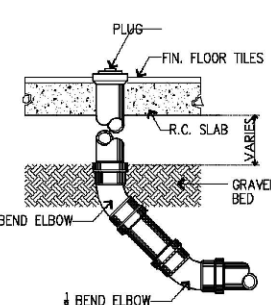
FLOOR CLEAN-OUT DETAIL

NOT TO SCALE



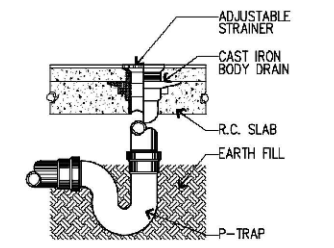
CEILING CLEAN-OUT DETAIL

NOT TO SCALE



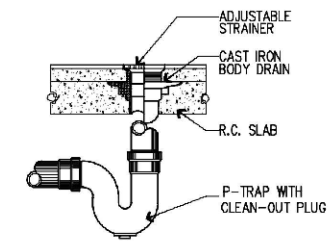
STUB-OUT @ RENTABLES

NOT TO SCALE



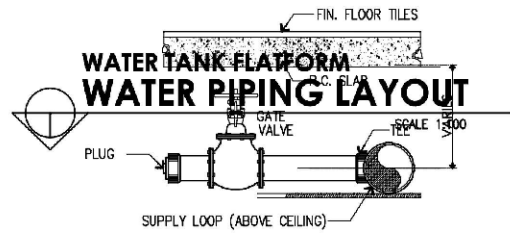
GROUND FLOOR FLOOR DRAIN DETAIL

NOT TO SCALE



SECOND FLOOR & ABOVE FLOOR DRAIN DETAIL

NOT TO SCALE



WATER TANK PLATFORM WATER PIPING LAYOUT

SCALE 1:500

CWLAC STUB-OUT @ RENTABLES

NOT TO SCALE