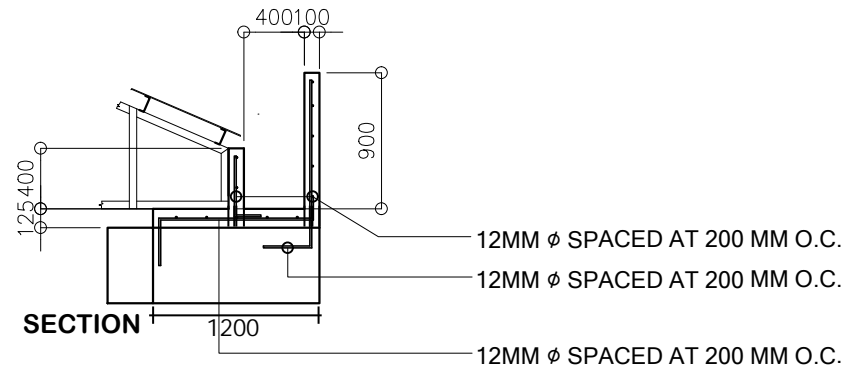


STIFFENER COLUMN DETAIL
SCALE 1:10M



PARAPET WALL DETAIL
SCALE 1:50M

DONE IN THE OFFICE FOR		PREPARED BY	NOTE	PROJECT TITLE/LOCATION	RECOMMENDING APPROVAL	APPROVED BY	SHEET CONTENTS	SHEET NO.		
<p>West Visayas State University (formerly Iloilo Normal School) Loreo St., La Paz, Iloilo City 6000 Iloilo, Philippines *Toll-free: (053) 320-0870 to 79 **Fax/No. (053) 320-0879 *Website: www.wvsu.edu.ph *Email Address: info@wvsu.edu.ph</p>		<p>ENGR. MAKEY ERIC YTURRALDE 010-39795 PLACE: ILOILO CITY 010-229734 TIN: 122-822-395 010-266-82-1001</p>	<p>ALL DESIGNS, DRAWING, SPECIFICATION AND NOTES PREPARED AND FURNISHED BY THE ARCHITECT IN CONNECTION WITH THE PROJECT ARE INSTRUMENTS OF PROFESSIONAL SERVICE, THEY ARE THE PROPERTY OF THE ARCHITECT, WHETHER THEY ARE EXECUTED OR NOT, THEY ARE NOT TO BE REPRODUCED OR USED ON OTHER WORK EXCEPT IF WRITTEN AGREEMENT WITH THE ARCHITECT.</p> <p>SA 9266, REV. 3, SEP 23</p>	<p>CLINICAL SKILLS LABORATORY</p> <p>WVSU MAIN CAMPUS, LA PAZ, ILOILO CITY</p>	<p>AR. GERALD IBÑES HEAD, CPPD</p>	<p>WILHELM P. CERBO, ED.D. DIRECTOR, UPDD</p>	<p>PORFERIO J. BARLAS JR., PH. D. VP FOR ADMIN & FINANCE</p>	<p>JOSELITO F. VILLARUZ, MD, PH D, FPPS UNIVERSITY PRESIDENT</p>	<p>AS INDICATED</p> <p>DRAWN BY: YCSB</p> <p>DATE START:</p> <p>DATE FINISH:</p> <p>REV. NO.:</p>	<p>5</p>