

**LEGENDS**

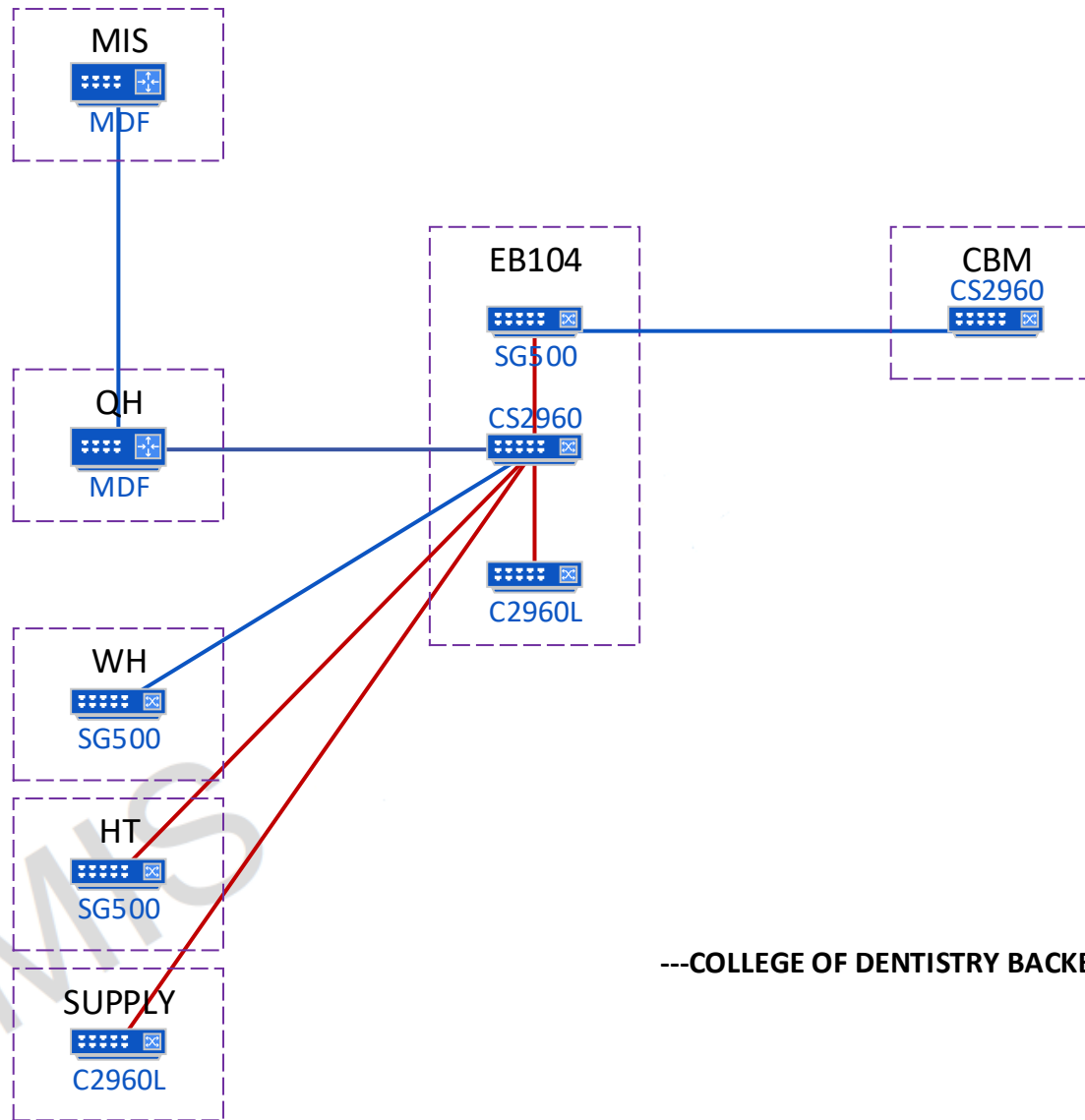
**EXISTING:**

COPPER   
 FIBER 



**PROPOSED:**

COPPER   
 FIBER 



---COLLEGE OF DENTISTRY BACKBONE---



**West Visayas State University**  
 Luna St. La Paz Iloilo CITY, Philippines 5000  
 Office of the President  
**MANAGEMENT INFORMATION SYSTEMS OFFICE**  
 Tel. No. 033-3200870 local 153 URL: www.wvsu.edu.ph Email: mis@wvsu.edu.ph

**EXISTING NETWORK DIAGRAM**

PROJECT TITLE

DRAFTED BY:

**ELLY JUN A. TIOPE**  
 Network Administrator

APPROVED BY:

**LOUIE F. CERVANTES**  
 MIS Director


REV: **01**

DATE: **JULY 2023**

<b>A</b>	1 / 1
NOT TO SCALE	

**LEGENDS**

**EXISTING:**

COPPER 

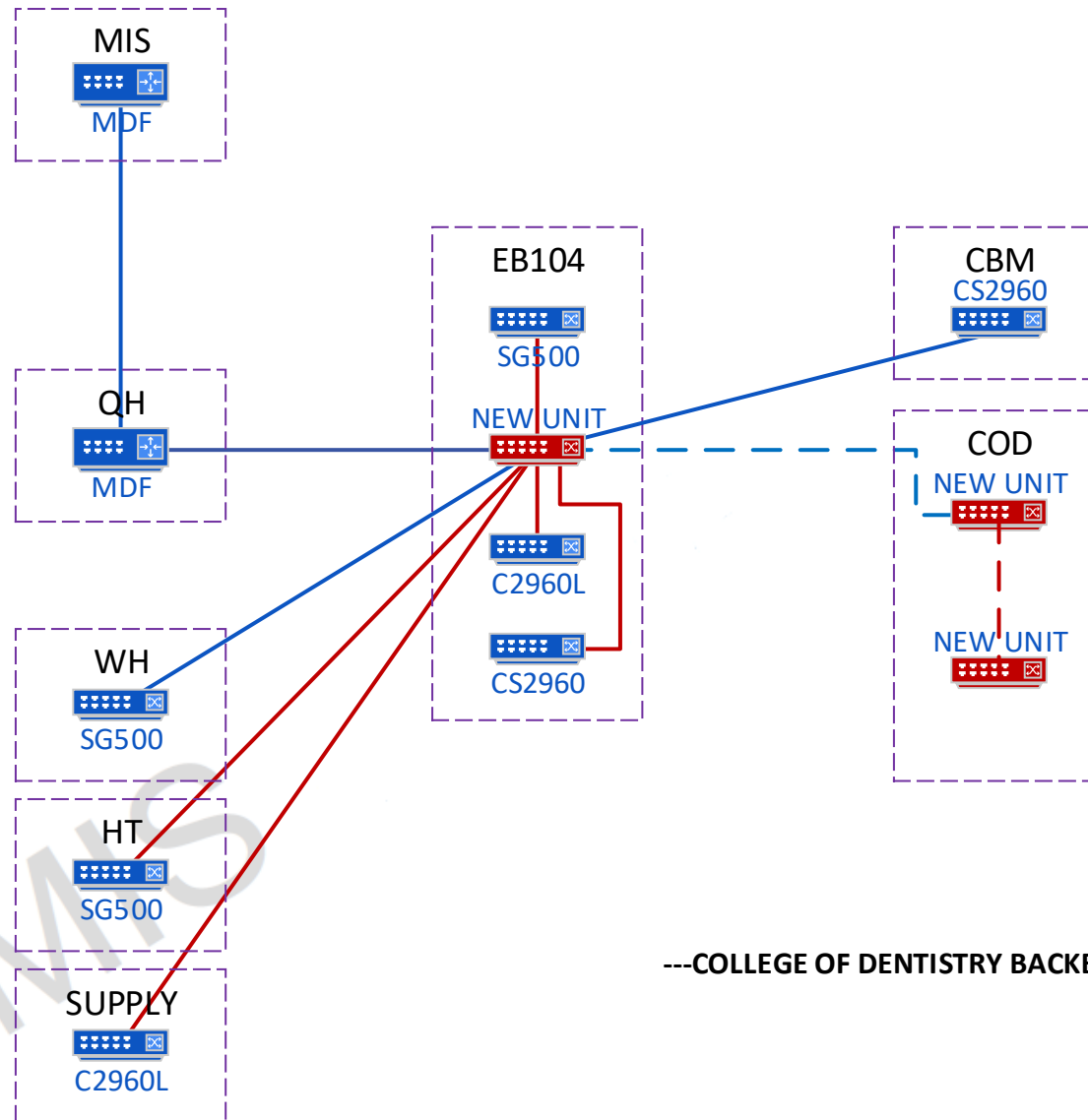
FIBER 



**PROPOSED:**

COPPER 

FIBER 



---COLLEGE OF DENTISTRY BACKBONE---



**West Visayas State University**  
 Luna St. La Paz Iloilo CITY, Philippines 5000  
 Office of the President  
**MANAGEMENT INFORMATION SYSTEMS OFFICE**  
 Tel. No. 033-3200870 local 163 URL: www.wvsu.edu.ph Email: mis@wvsu.edu.ph

**PROPOSED NETWORK DIAGRAM**

PROJECT TITLE

DRAFTED BY:

**ELLY JUN A. TIOPE**  
 Network Administrator

APPROVED BY:

**LOUIE F. CERVANTES**  
 MIS Director

REV: **01**

DATE: **JULY 2023**

<b>A</b>	1 1
NOT TO SCALE	

**LEGENDS**

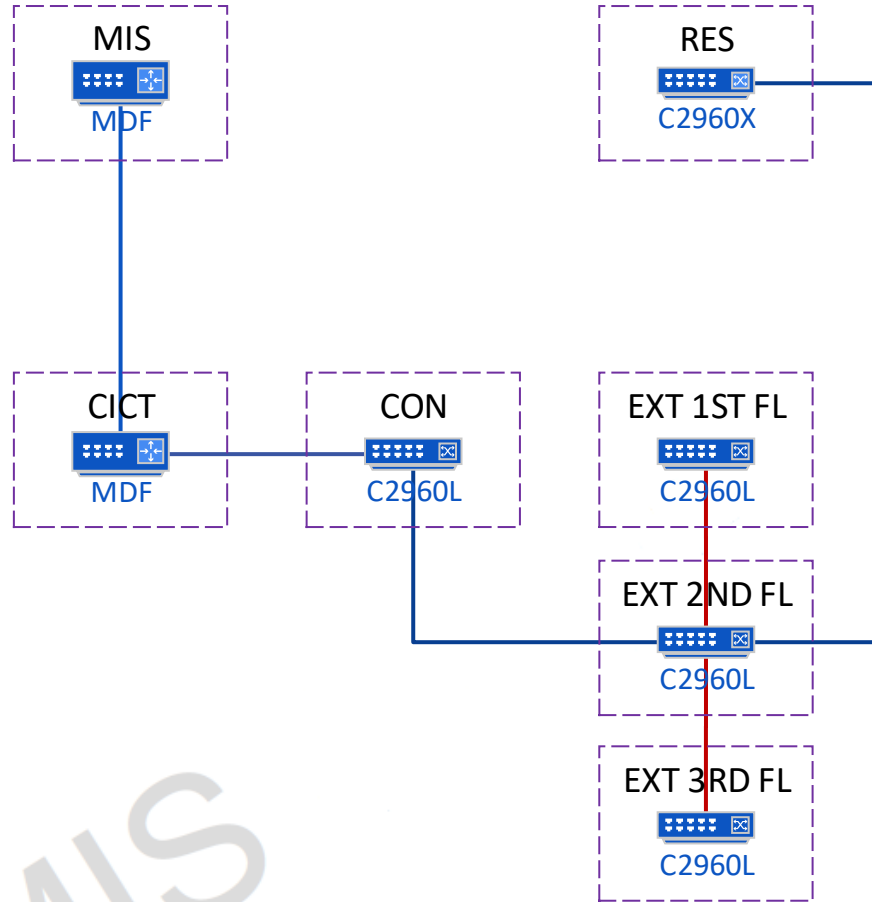
**EXISTING:**

COPPER ——— (red line)  
 FIBER ——— (blue line)



**PROPOSED:**

COPPER - - - - (red dashed line)  
 FIBER - - - - (blue dashed line)



---URGP BACKBONE---



**West Visayas State University**  
 Luna St. La Paz Iloilo City, Philippines 5000  
 Office of the President  
**MANAGEMENT INFORMATION SYSTEMS OFFICE**  
 Tel. No. 033-3200870 local 183 URL: www.wvsu.edu.ph Email: mis@wvsu.edu.ph

**EXISTING NETWORK DIAGRAM**

PROJECT TITLE

DRAFTED BY:

**ELLY JUN A. TIOPE**  
 Network Administrator

APPROVED BY:

**LOUIE F. CERVANTES**  
 MIS Director

REV: **01**

DATE: **JULY 2023**

<b>A</b>	1 / 1
NOT TO SCALE	

**LEGENDS**

**EXISTING:**

COPPER ——— (red line)  
 FIBER ——— (blue line)

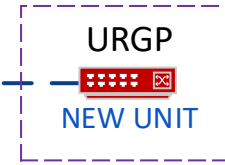
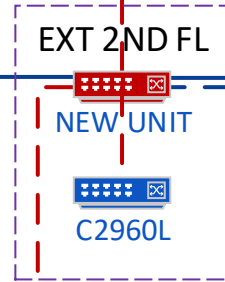
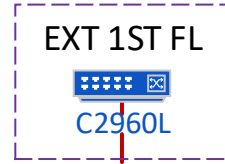
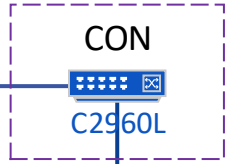
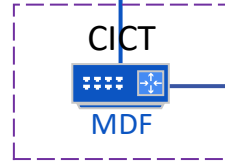
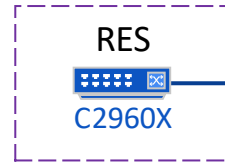
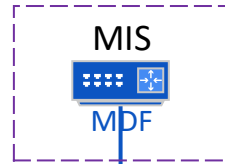


**PROPOSED:**

COPPER - - - - (red dashed line)  
 FIBER - - - - (blue dashed line)



MIS



---URGP BACKBONE---



**West Visayas State University**  
 Luna St. La Paz Iloilo City, Philippines 5000  
 Office of the President  
**MANAGEMENT INFORMATION SYSTEMS OFFICE**  
 Tel. No. 035-3200870 local 183 URL: www.wvsu.edu.ph Email: mis@wvsu.edu.ph

**PROPOSED NETWORK DIAGRAM**

PROJECT TITLE

DRAFTED BY:

**ELLY JUN A. TIOPE**  
 Network Administrator

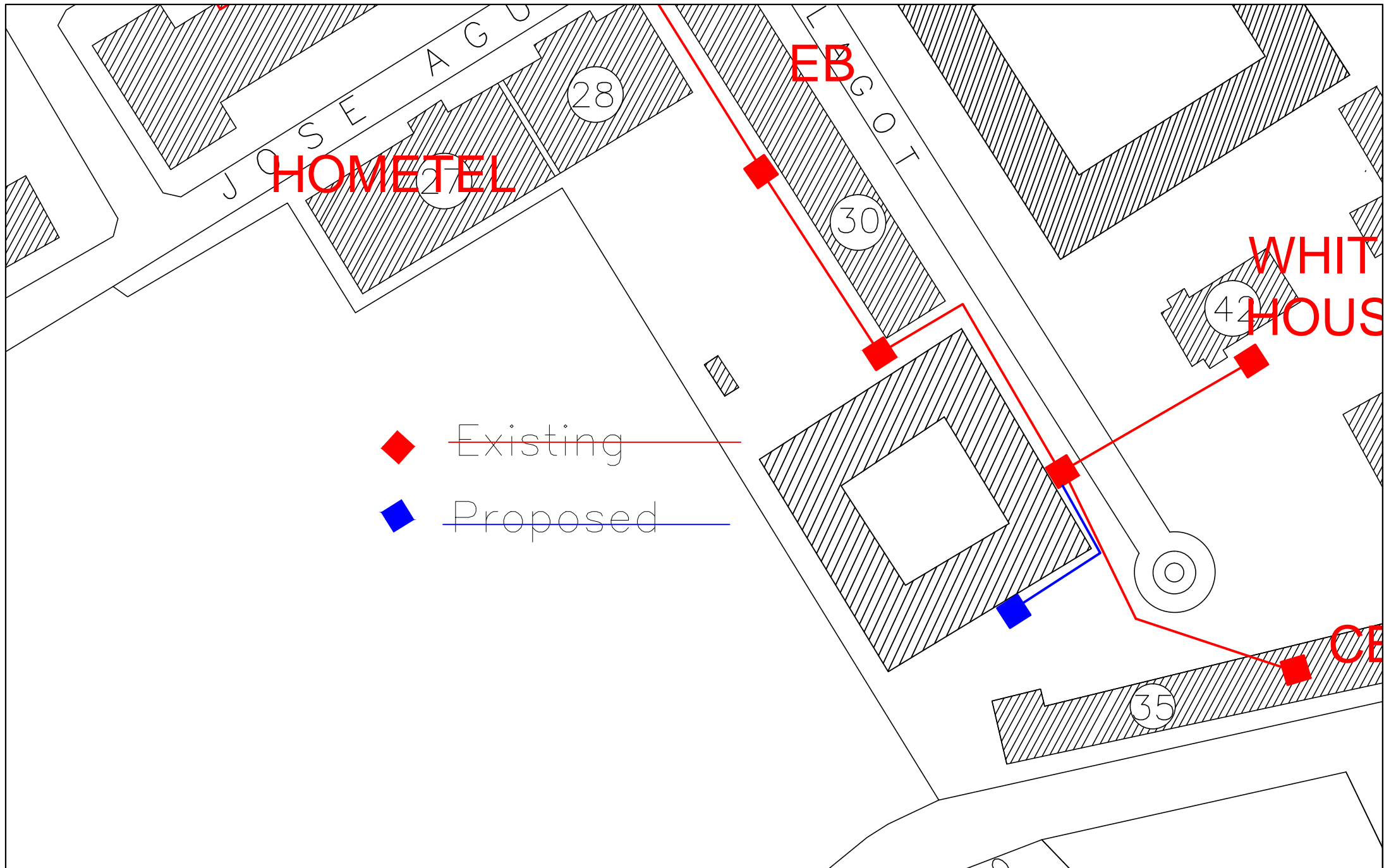
APPROVED BY:

**LOUIE F. CERVANTES**  
 MIS Director

REV: **01**

DATE: **JULY 2023**

<b>A</b>	1 / 1
NOT TO SCALE	



**West Visayas State University**  
 Luna St. La Paz Iloilo City, Philippines 5000  
 Office of the President  
**MANAGEMENT INFORMATION SYSTEMS OFFICE**  
 Tel. No. 033-3200870 local 163 URL: www.wvsu.edu.ph Email: mis@wvsu.edu.ph

**PROPOSED DUCT TRENCH (IT AUXILIARY)  
 COLLEGE OF DENTISTRY**

PROJECT TITLE

DRAFTED BY:  
**ELLY JUN A. TIOPE**  
 Network Administrator

NOTED BY:  
**LOUIE F. CERVANTES**  
 MIS Director

APPROVED BY:  
**LOUIE F. CERVANTES**  
 End User

REV:  
 DATE:  
**A** 1/1  
 NOT TO SCALE

GYMNASIUM



Existing



Proposed

EXT

RES

GTBI



**West Visayas State University**  
Luna St. La Paz Iloilo City, Philippines 5000  
Office of the President  
**MANAGEMENT INFORMATION SYSTEMS OFFICE**  
Tel. No. 033-3200870 local 163 URL: www.wvsu.edu.ph Email: mis@wvsu.edu.ph

**PROPOSED PULLBOX/HARNESSING  
(IT AUXILIARY) URGP BLDG**

PROJECT TITLE

DRAFTED BY:

**ELLY JUN A. TIOPE**  
Network Administrator

NOTED BY:

**LOUIE F. CERVANTES**  
MIS Director

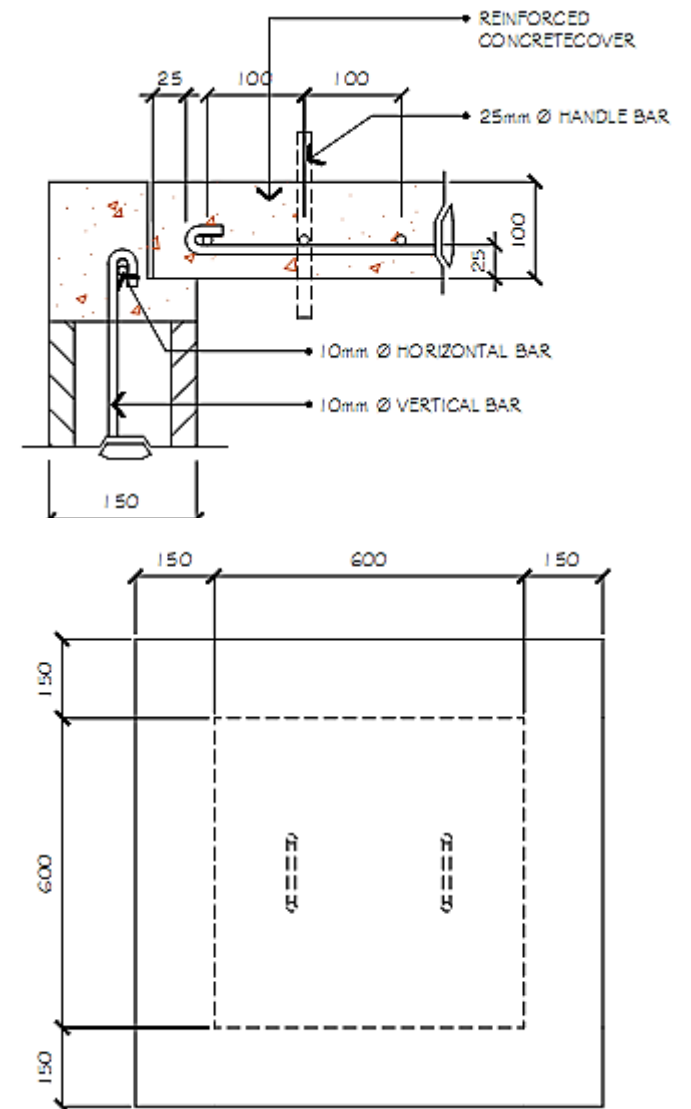
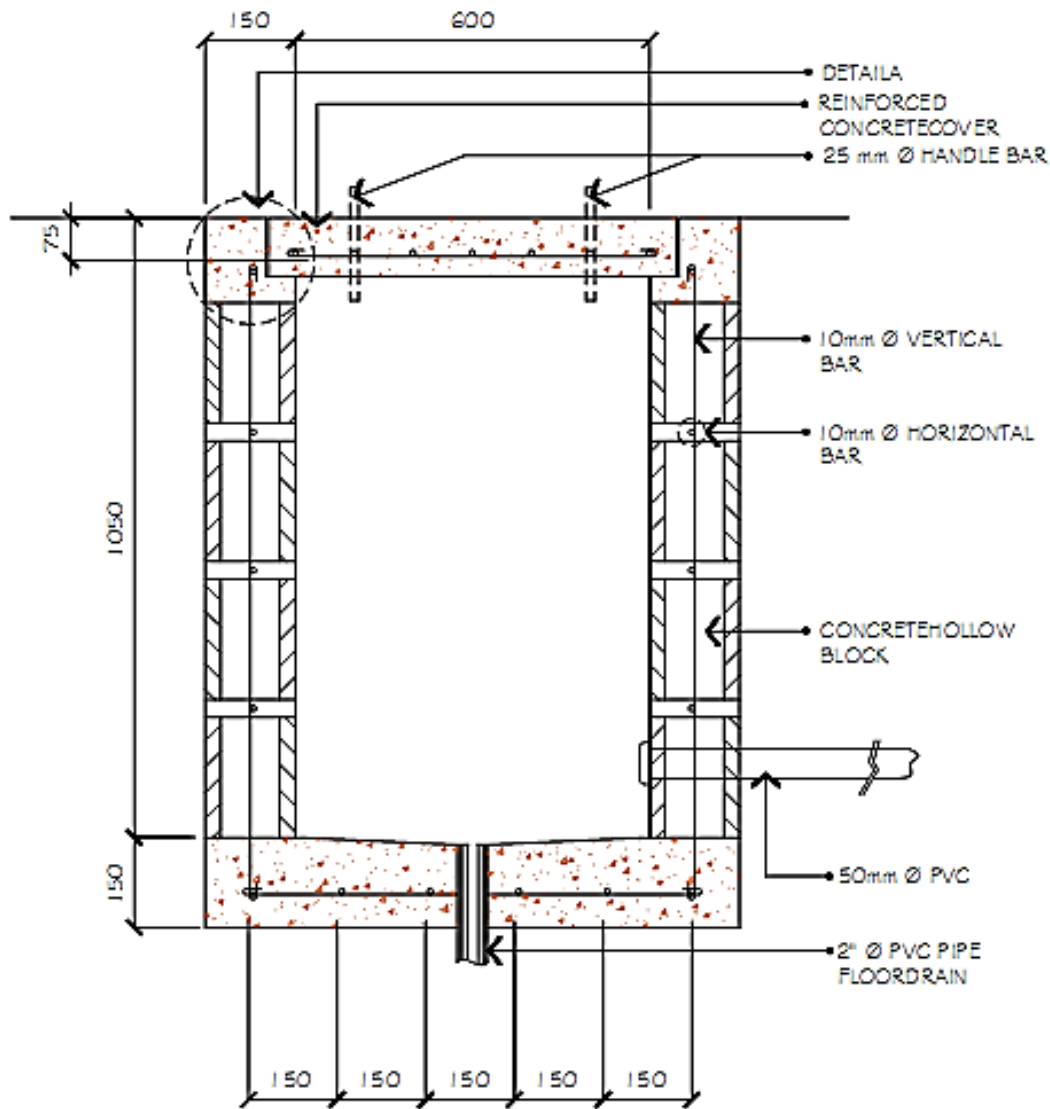
APPROVED BY:

**LOUIE F. CERVANTES**  
End User

REV:

DATE:

**A** 1/1  
NOT TO SCALE



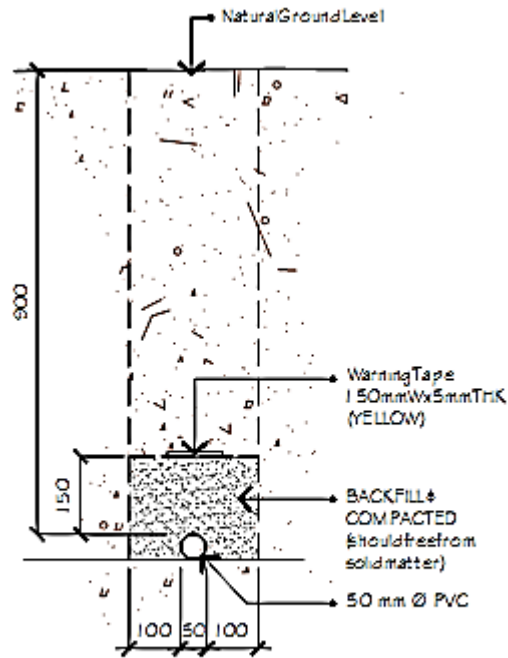
**WEST VISAYAS STATE UNIVERSITY**

Luna St. La Paz Iloilo City  
 Phone: 033-3200870  
 Website: www.wvsu.edu.ph

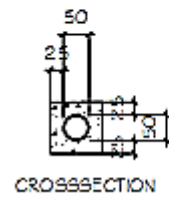
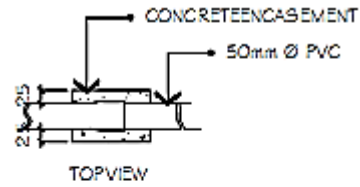
## Proposed Fiber Optic Cabling

DRAFTED BY:  
**ELLY JUN A. TIOPE**

APPROVED BY:  
**LOUIE F. CERVANTES**



I-FEEDER



**WEST VISAYAS STATE UNIVERSITY**

Luna St. La Paz Iloilo City  
Phone: 033-3200870  
Website: www.wvsu.edu.ph

**Reference for Fiber Length**

DRAFTED BY:  
**ELLY JUN A. TIOPE**

APPROVED BY:  
**LOUIE F. CERVANTES**