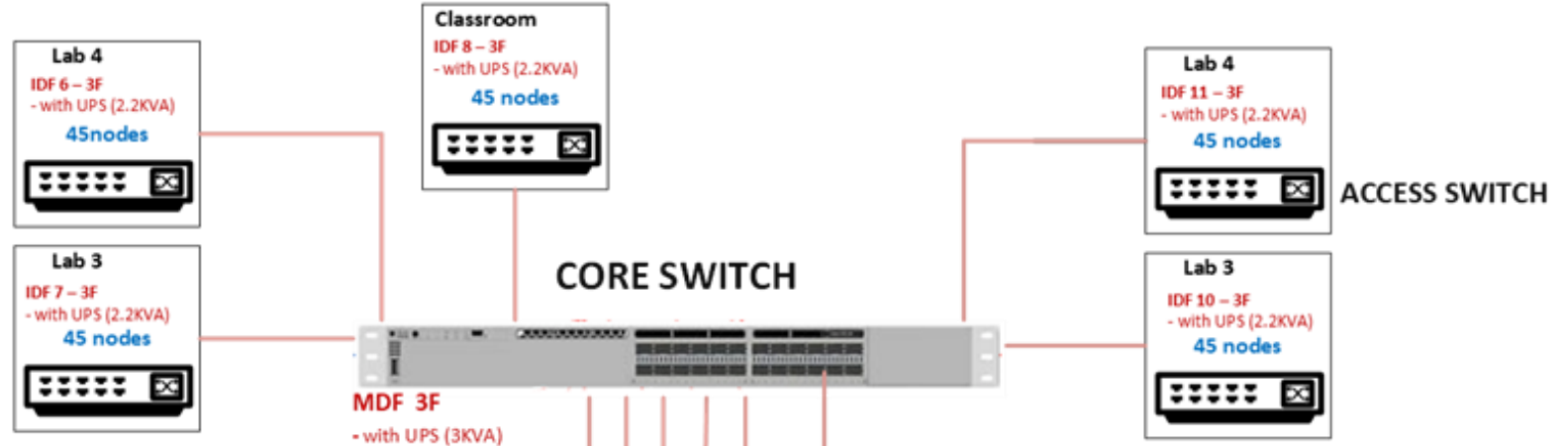
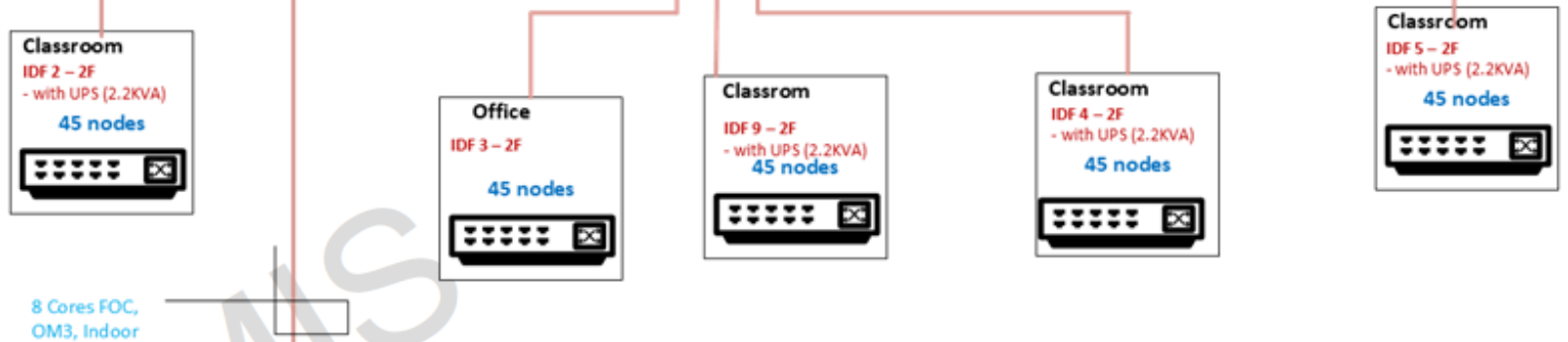


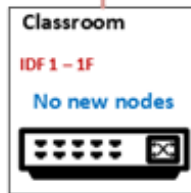
# 3<sup>rd</sup> Floor



# 2<sup>nd</sup> Floor



# 1<sup>st</sup> Floor



**West Visayas State University**  
Luna St. La Paz Iloilo CITY, Philippines 5000  
Office of the President  
**MANAGEMENT INFORMATION SYSTEMS OFFICE**  
Tel. No. 033-3200870 local 163 URL: www.wvsu.edu.ph Email: mis@wvsu.edu.ph

## PROPOSED NETWORK DIAGRAM FOR CICT

PROJECT TITLE

DRAFTED BY:

**ELLY JUN A. TIOPE**  
Network Administrator

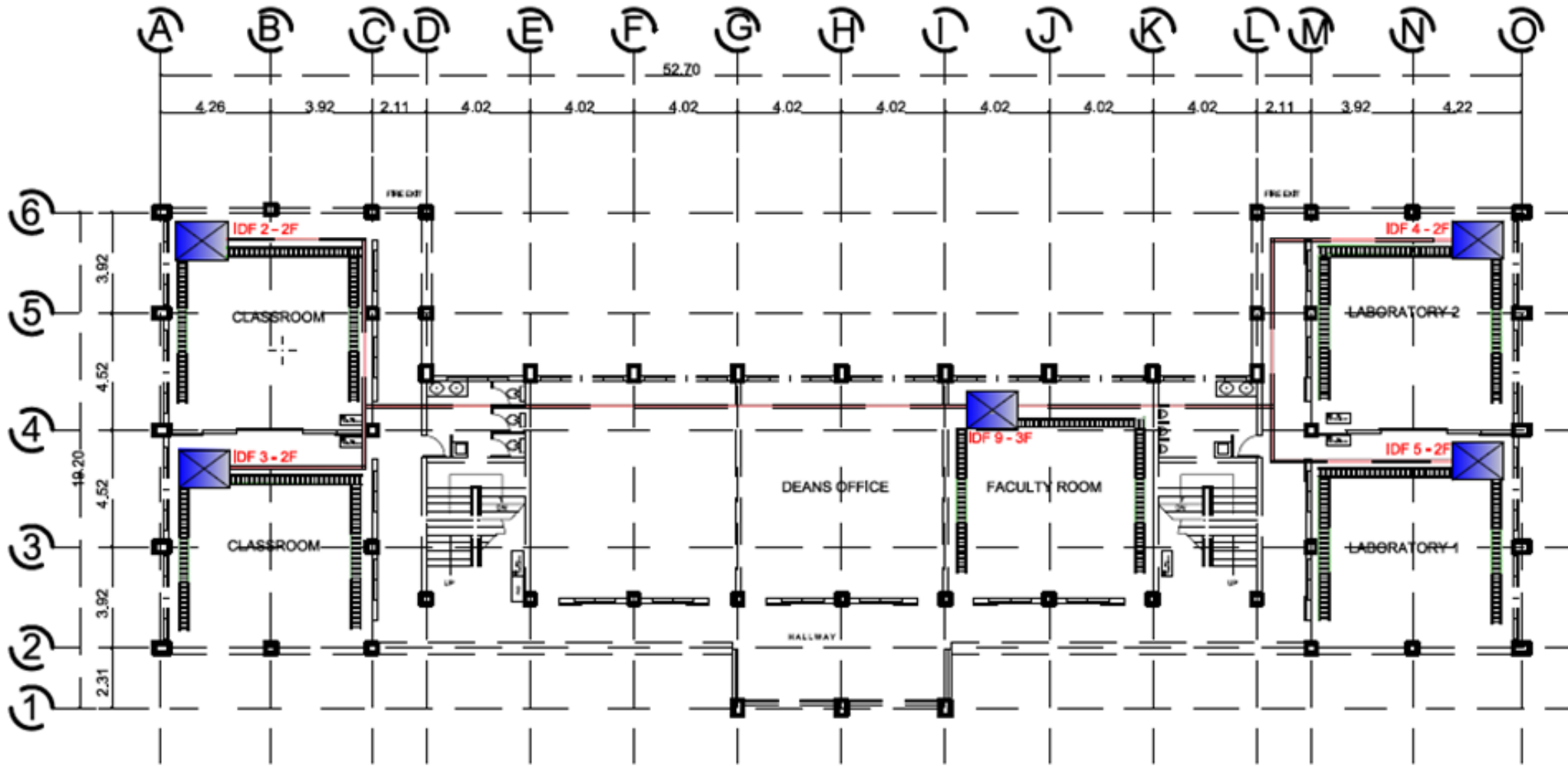
APPROVED BY:

**LOUIE F. CERVANTES**  
MIS Director

REV:

DATE:

<b>A</b>	1
NOT TO SCALE	1



2nd Floor

**LEGEND:**

- PVC Piping
- Cable Tray



**West Visayas State University**  
 Luna St. La Paz Iloilo City, Philippines 5000  
 Office of the President  
**MANAGEMENT INFORMATION SYSTEMS OFFICE**  
 Tel. No. 033-3200870 local 103 URL: www.wvsu.edu.ph Email: mis@wvsu.edu.ph

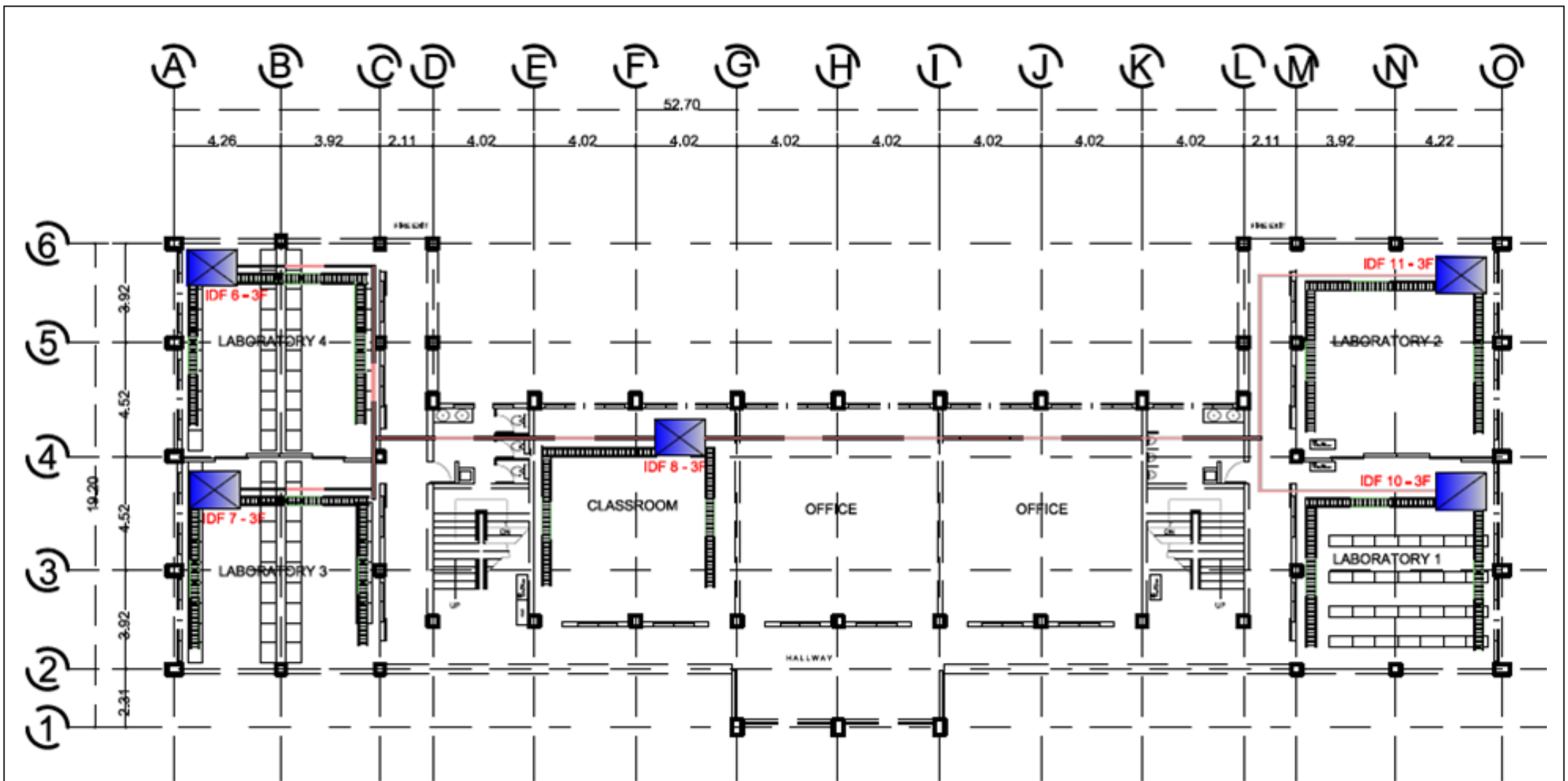
**PROPOSED NETWORK DIAGRAM FOR CICT**

PROJECT TITLE

DRAFTED BY:  
  
**ELLY JUN A. TIOPE**  
 Network Administrator

APPROVED BY:  
  
**LOUIE F. CERVANTES**  
 MIS Director

REV:	
DATE:	
<b>A</b>	1/1
NOT TO SCALE	



3rd Floor

**LEGEND:**

- - - - - - PVC Piping
- Cable Tray



**West Visayas State University**  
 Luna St. La Paz Iloilo City, Philippines 5000  
 Office of the President  
**MANAGEMENT INFORMATION SYSTEMS OFFICE**  
 Tel. No. 035-3200870 local 183 URL: www.wvsu.edu.ph Email: mis@wvsu.edu.ph

**PROPOSED NETWORK DIAGRAM FOR CICIT**

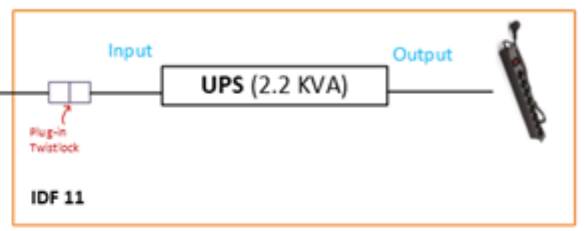
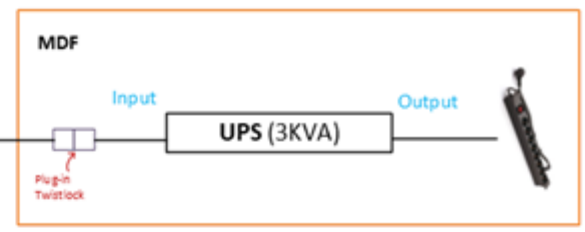
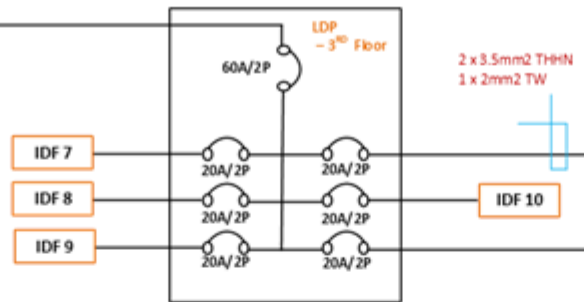
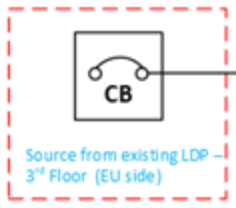
PROJECT TITLE

DRAFTED BY:  
  
**ELLY JUN A. TIOPE**  
 Network Administrator

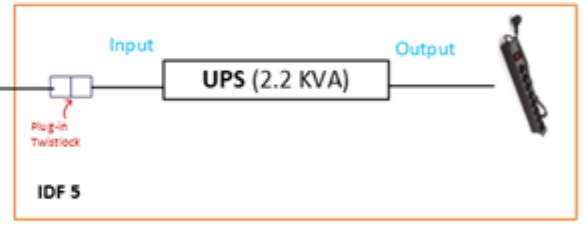
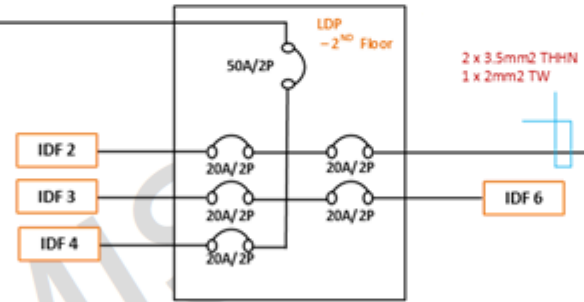
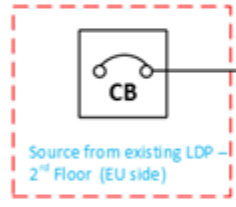
APPROVED BY:  
  
**LOUIE F. CERVANTES**  
 MIS Director

REV: **01**  
 DATE: **JULY 2023**

<b>A</b>	1
NOT TO SCALE	1

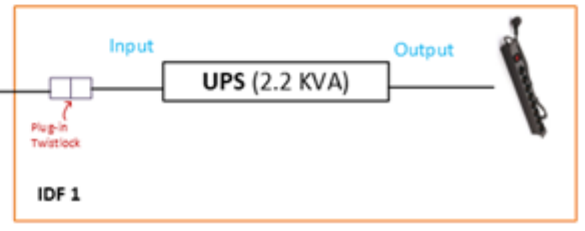
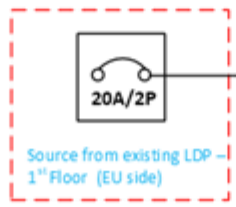


3<sup>RD</sup> FLOOR



2<sup>ND</sup> FLOOR

**ELECTRICAL SINGLE LINE DIAGRAM**



1<sup>ST</sup> FLOOR



**West Visayas State University**  
 Luna St. La Paz Iloilo City, Philippines 5000  
 Office of the President  
**MANAGEMENT INFORMATION SYSTEMS OFFICE**  
 Tel. No. 035-3200870 local 153 URL: www.wvsu.edu.ph Email: mis@wvsu.edu.ph

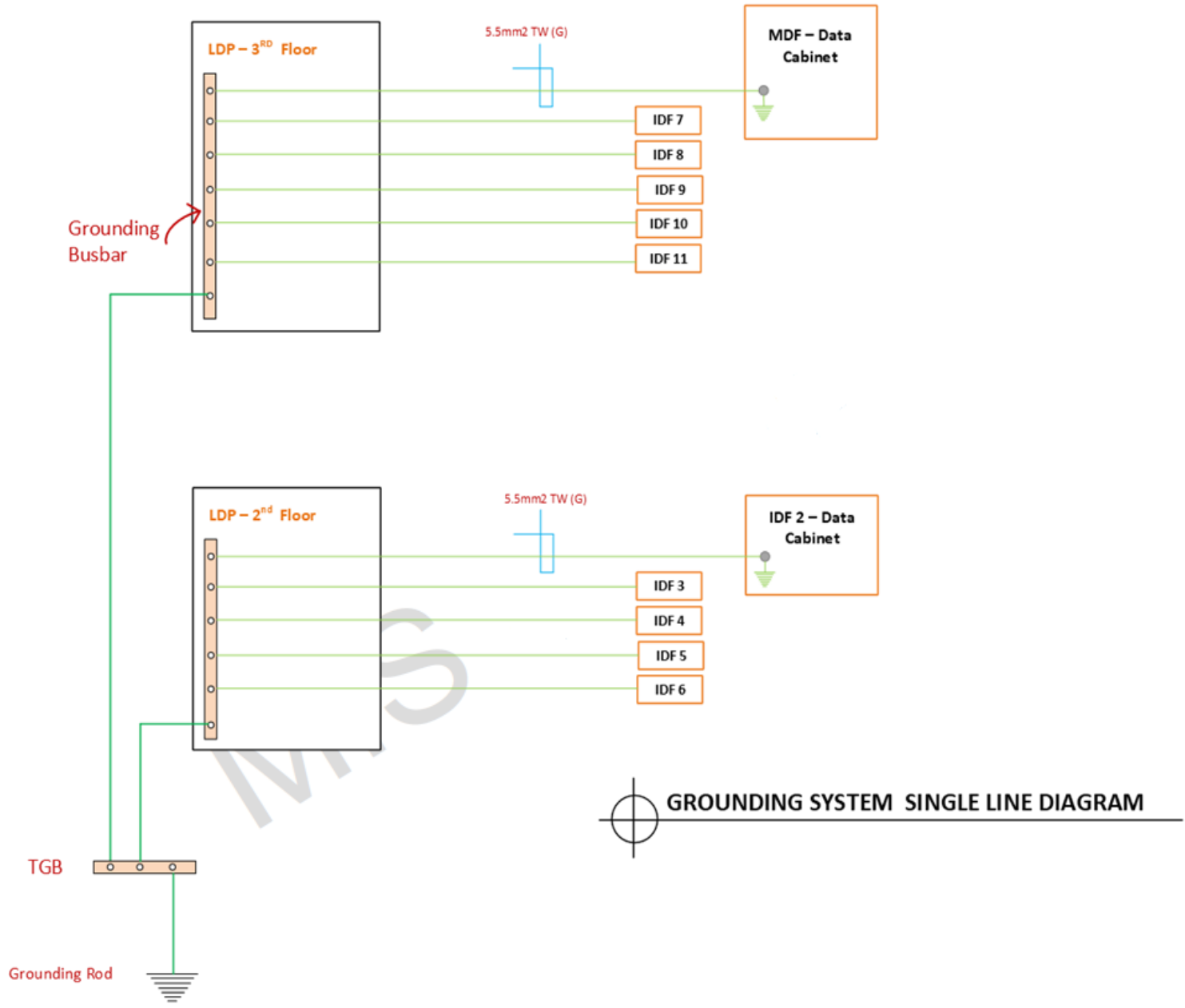
**PROPOSED ELECTRICAL SINGLE LINE DIAGRAM**

PROJECT TITLE

DRAFTED BY:  
**ELLY JUN A. TIOPE**  
Network Administrator

APPROVED BY:  
**LOUIE F. CERVANTES**  
MIS Director

REV: <b>01</b>
DATE: <b>JULY 2023</b>
<b>A</b>
NOT TO SCALE



⊕ **GROUNDING SYSTEM SINGLE LINE DIAGRAM**



**West Visayas State University**  
 Luna St. La Paz Iloilo City, Philippines 5000  
 Office of the President  
**MANAGEMENT INFORMATION SYSTEMS OFFICE**  
 Tel. No. 033-3200870 local 183 URL: www.wvsu.edu.ph Email: mis@wvsu.edu.ph

**PROPOSED ELECTRICAL SINGLE LINE DIAGRAM**

PROJECT TITLE

DRAFTED BY:  
**ELLY JUN A. TIOPE**  
Network Administrator

APPROVED BY:  
**LOUIE F. CERVANTES**  
MIS Director

REV: <b>01</b>
DATE: <b>JULY 2023</b>
<b>A</b>
NOT TO SCALE

1
1