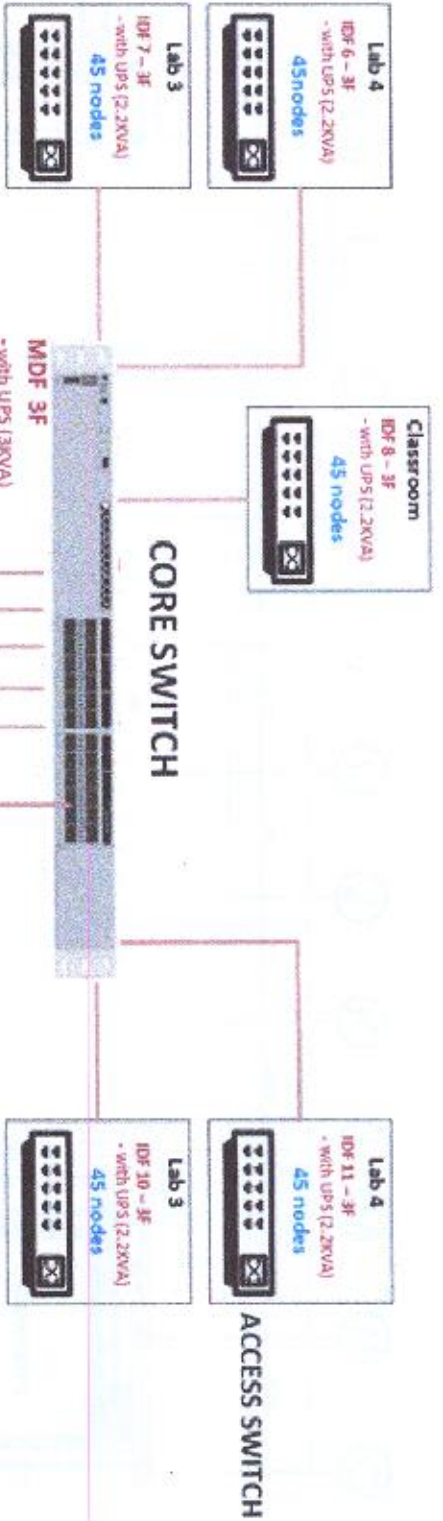
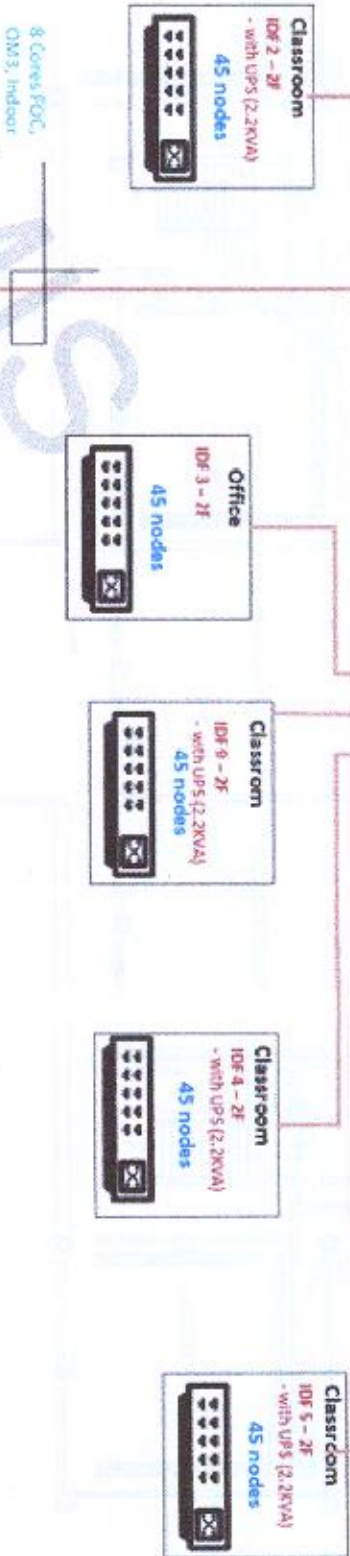


3rd Floor



2nd Floor



1st Floor



8 Cores POC,
GM3, Indoor



West Visayas State University
Lungsod ng Iloilo, Iloilo City, Philippines 6000
Office of the President
MANAGEMENT INFORMATION SYSTEMS OFFICE
Tel No. (035) 510-5101 local 3001 (Cell. www.wvs.edu.ph Email: info@wvs.edu.ph)

PROPOSED NETWORK DIAGRAM FOR CICT

PROJECT TITLE

DRAFTED BY:

ELLY JON A. TIPOPE
Network Administrator

APPROVED BY:

RODIE F. GERANANTES
MIS Director

REV:

DATE

A 1 1

NOT TO SCALE



West Visayas State University
 Lina St. La Paz 8200 Cebu, Philippines 6000
 Office of the President
MANAGEMENT INFORMATION SYSTEMS OFFICE
 Tel. No. 035-2020213 local 102, 103, www.wvsu.edu.ph, Email: ois@wvsu.edu.ph

PROPOSED NETWORK DIAGRAM FOR CICT
 PROJECT TITLE

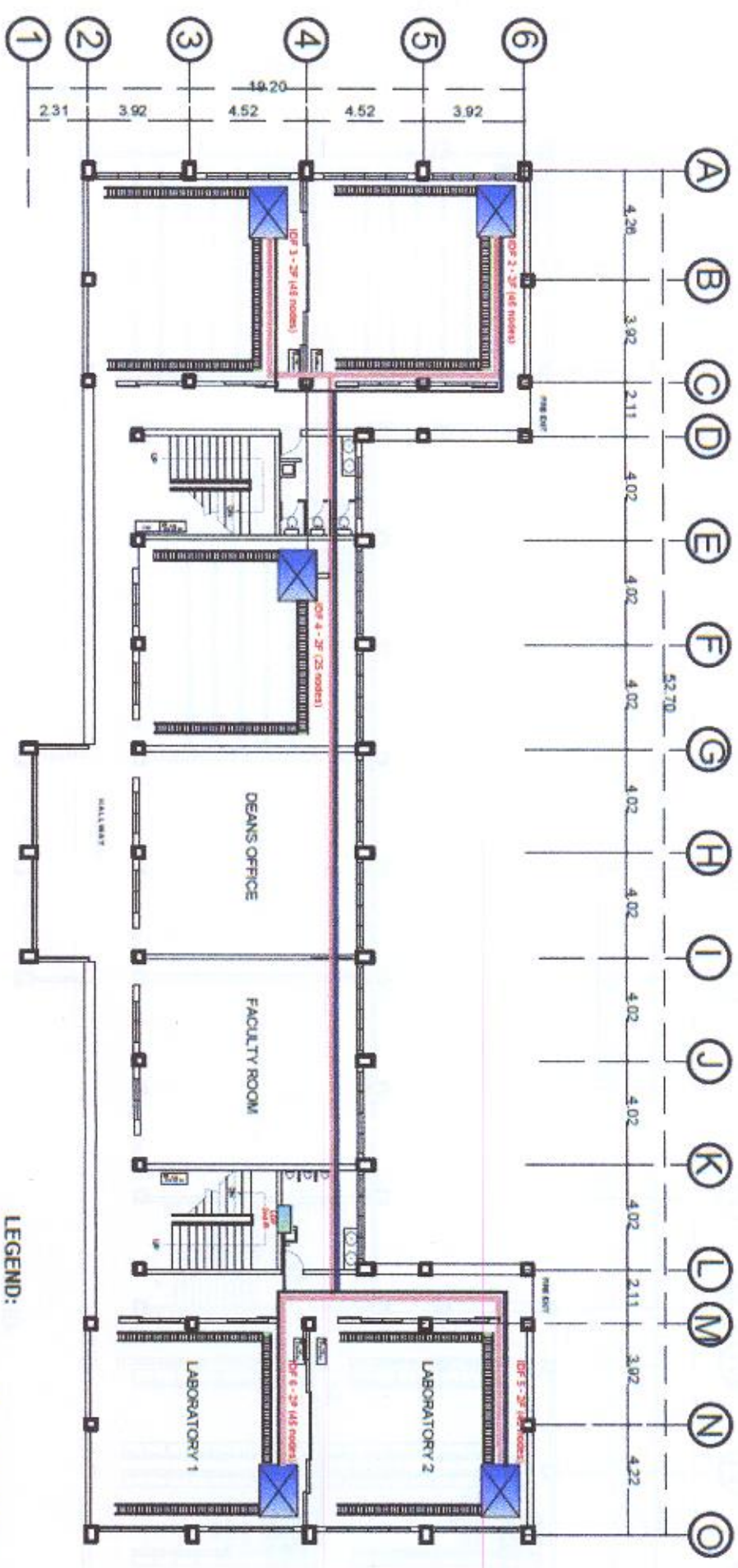
DRAFTED BY:
 ELLY JUN A. THOPE
 Network Administrator

APPROVED BY:
 KRISTINE F. CERVANTES
 MS OIC

REV.	DATE	NOT TO SCALE
A		1
		1

SECOND FLOOR PLAN

scale NTS



- LEGEND:**
- Fiber Route (PVC)
 - Cable Duct
 - Electrical Wiring (PVC)



West Visayas State University
 Lina St. La Paz Iloilo City, Philippines 6000
 OFFICE OF THE PRESIDENT
 MANAGEMENT INFORMATION SYSTEMS OFFICE
 Tel. No. 033-3222070 local 3333; Cell. No. 0917-8888888; Email: info@wvsu.edu.ph

PROPOSED NETWORK DIAGRAM FOR CICT
 PROJECT TITLE

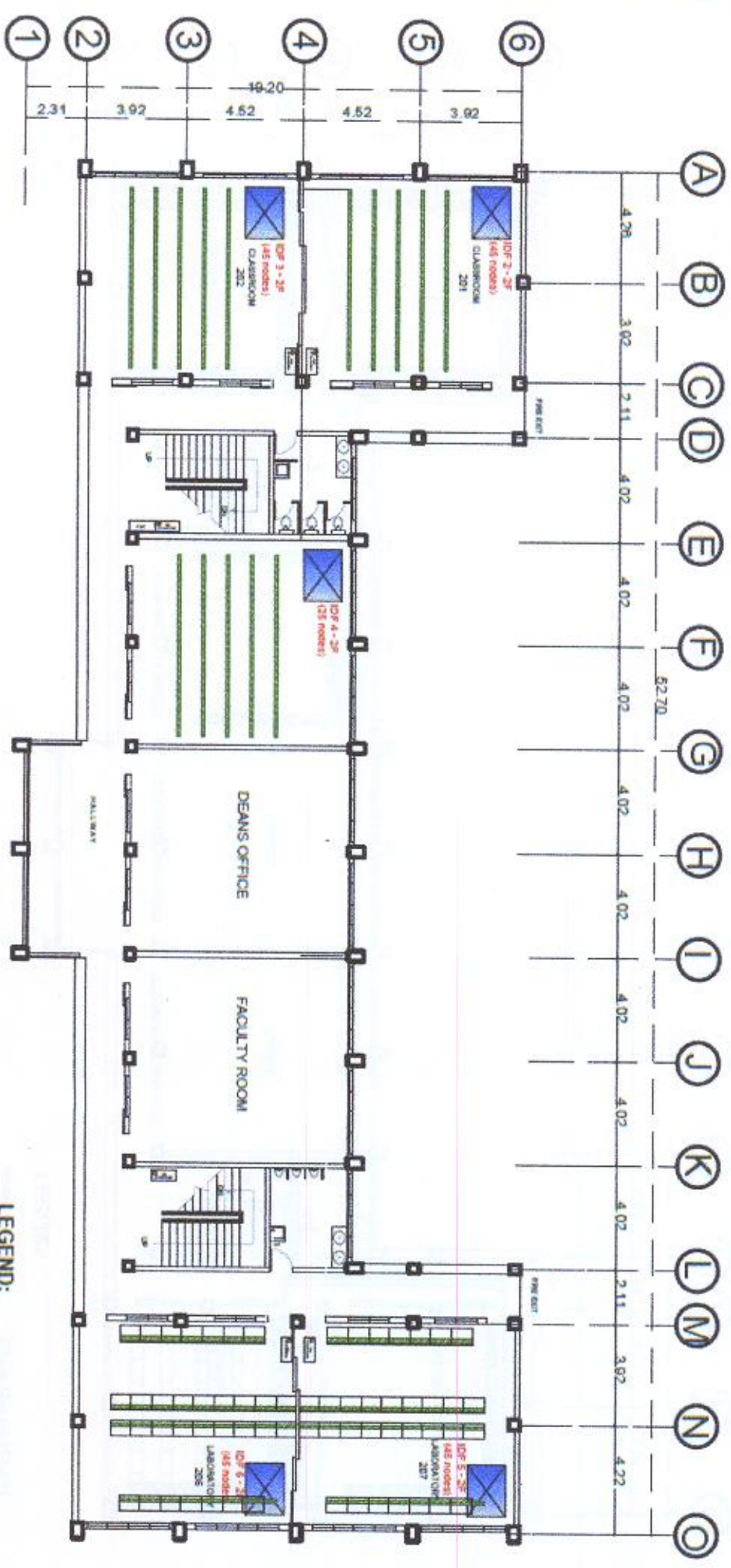
DRAFTED BY:
 ELLY JUNG A. TIOME
 Network Administrator

APPROVED BY:
 LOUIE F. CERVANTES
 AS Director

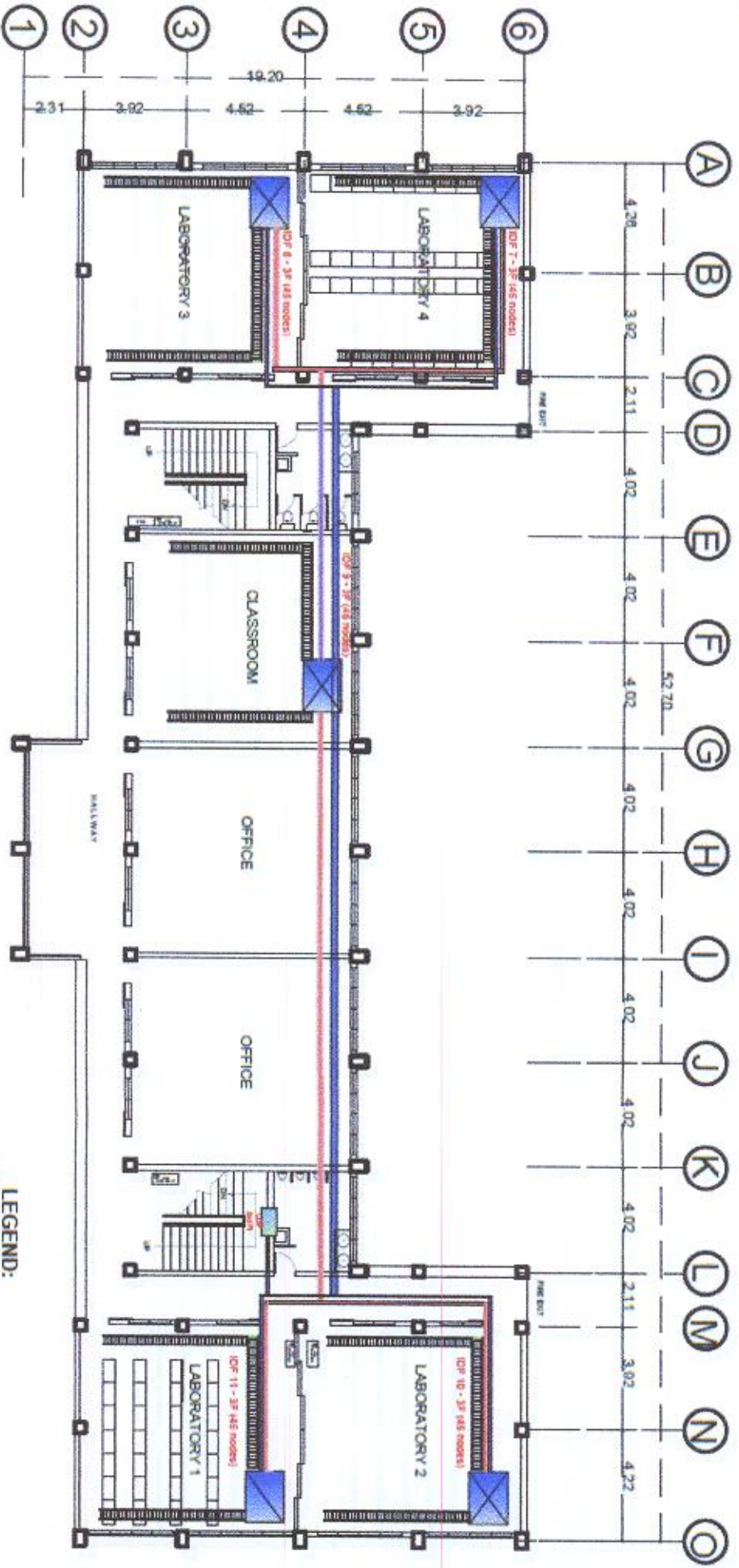
REV.	DATE	NOT TO SCALE
A		1
		1

SECOND FLOOR PLAN

scale



LEGEND:
 - - - - - Aluminum Threshold



- LEGEND:**
- Fiber Route (PVC)
 - Cable Duct
 - Electrical Wiring (PVC)

THIRD FLOOR PLAN

scale NTS



West Visayas State University
 Luna St. La Paz Iloilo City, Philippines 6000
 Office of the President
MANAGEMENT INFORMATION SYSTEMS OFFICE
 Tel. No. 053-5101070 local 703 URL: www.wvsu.edu.ph Email: mso@wvsu.edu.ph

PROPOSED NETWORK DIAGRAM FOR CICIT

PROJECT TITLE

DRAFTED BY

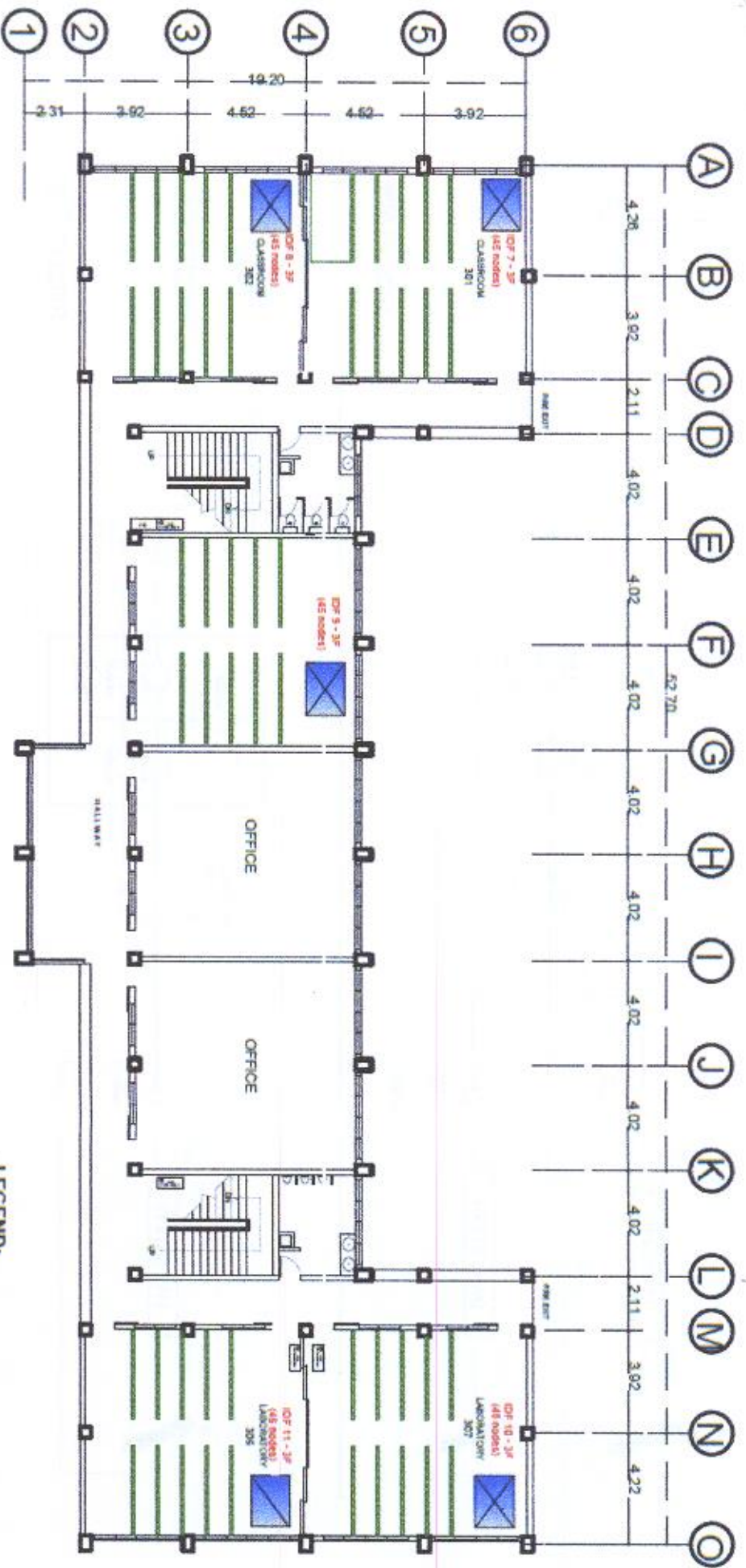
 ELY JUN A. TIORE
 Network Administrator

APPROVED BY

 LONIE F. CERVANTES
 MS Director

REV. 01	DATE: JULY 2023
A	1
1	1

NOT TO SCALE



THIRD FLOOR PLAN

scale NTS



West Visayas State University
 Luna St. La Paz Iloilo City, Philippines 5000
 Office of the President
MANAGEMENT INFORMATION SYSTEMS OFFICE
 Tel. No. 053-5200170 local 393-398, www.wvs.edu.ph Email: mis@wvs.edu.ph

PROPOSED NETWORK DIAGRAM FOR CICIT

PROJECT TITLE

DRAFTED BY

ELLY JUN A. TOPE
 Network Administrator

APPROVED BY:

ROUTE A. CERVANTES
 MIS Director

REV: 01

DATE: JULY 2023

NOT TO SCALE

A 1 1



West Visayas State University
 Luna St., La Paz, Iloilo City, Philippines 6000
 Office of the President
 MANAGEMENT INFORMATION SYSTEMS OFFICE
 Tel. No. (033) 2200711 local 300; 301; 302; www.wvsu.edu.ph; Email: mis@wvsu.edu.ph

PROPOSED ELECTRICAL SINGLE LINE DIAGRAM

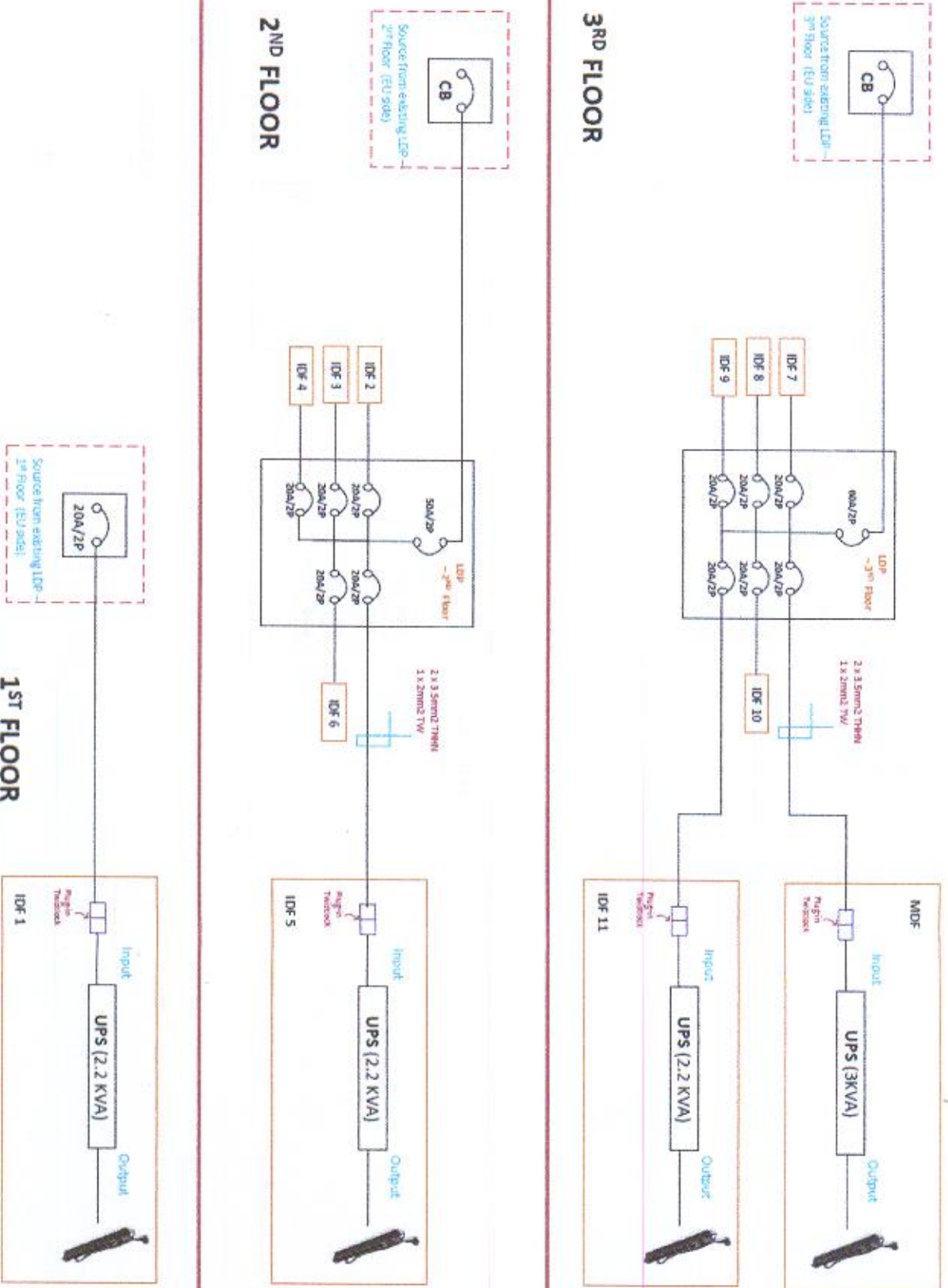
PROJECT TITLE

DRAFTED BY:
 ELYN JUN A. THOPE
 Network Administrator

APPROVED BY:
 LOUIE F. GERVALES
 MIS Director

REV: 01
 DATE: JULY 2023
 A 1 1
 NOT TO SCALE

ELECTRICAL SINGLE LINE DIAGRAM



3RD FLOOR

2ND FLOOR

1ST FLOOR



West Visayas State University
 Lana St. La Paz 1000 City, Philippines 6000
 Office of the President
 MANAGEMENT INFORMATION SYSTEMS OFFICE
 Fax No. 035-2000011 and 035 200 0000 www.wvsu.edu.ph Email: mgs@wvsu.edu.ph

PROPOSED ELECTRICAL SINGLE LINE DIAGRAM

PROJECT TITLE

DRAFTED BY:

[Signature]
ALY JUN A. TIOTE
Network Administrator


APPROVED BY:

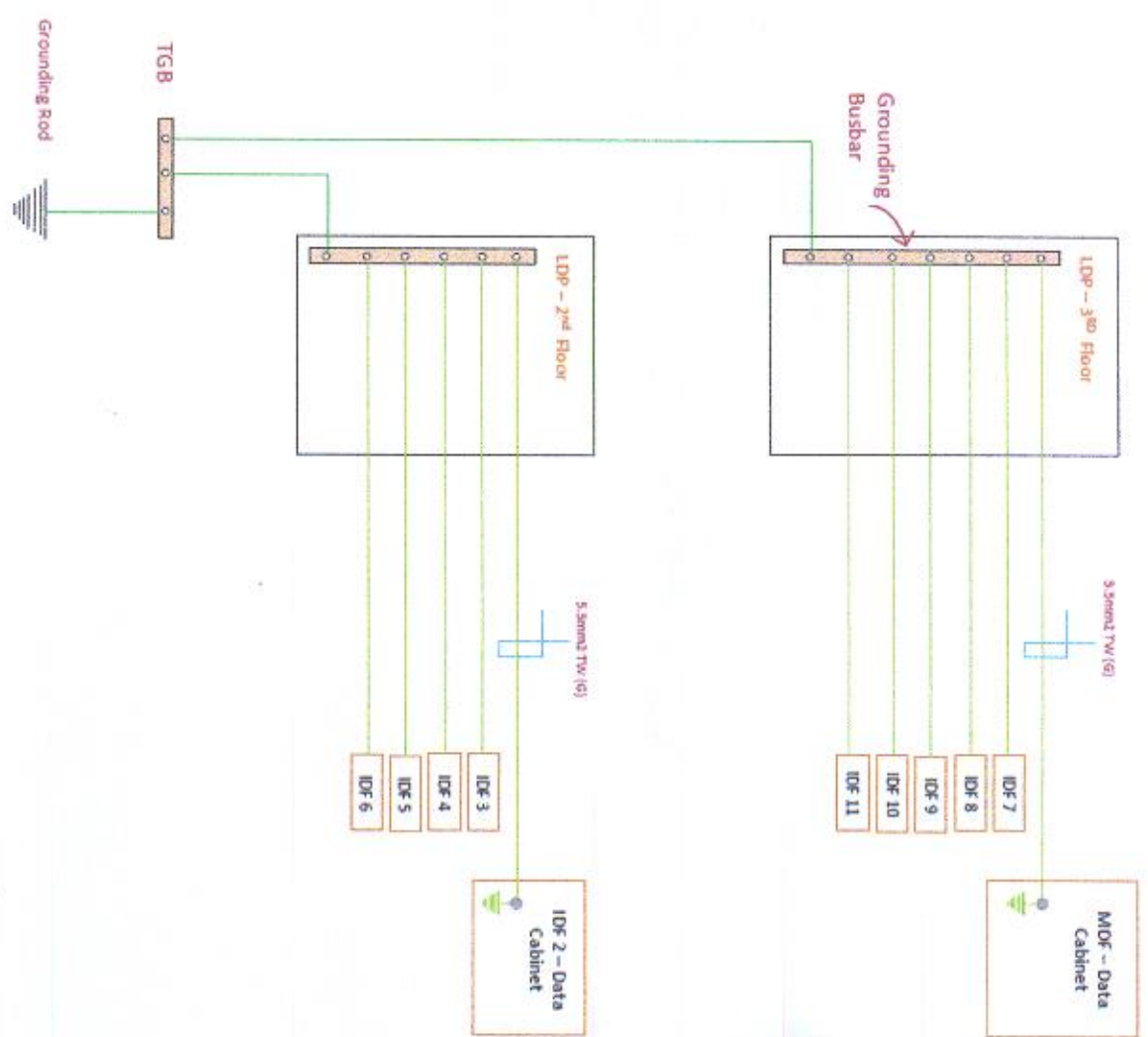
[Signature]
LOUIE F. SERVANTES
Network Supervisor

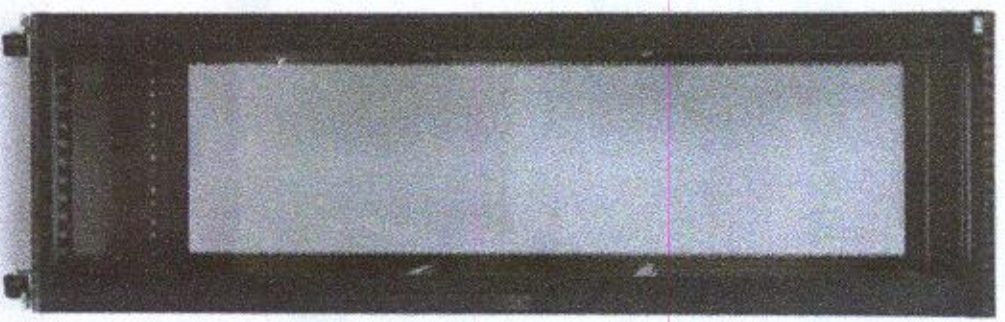
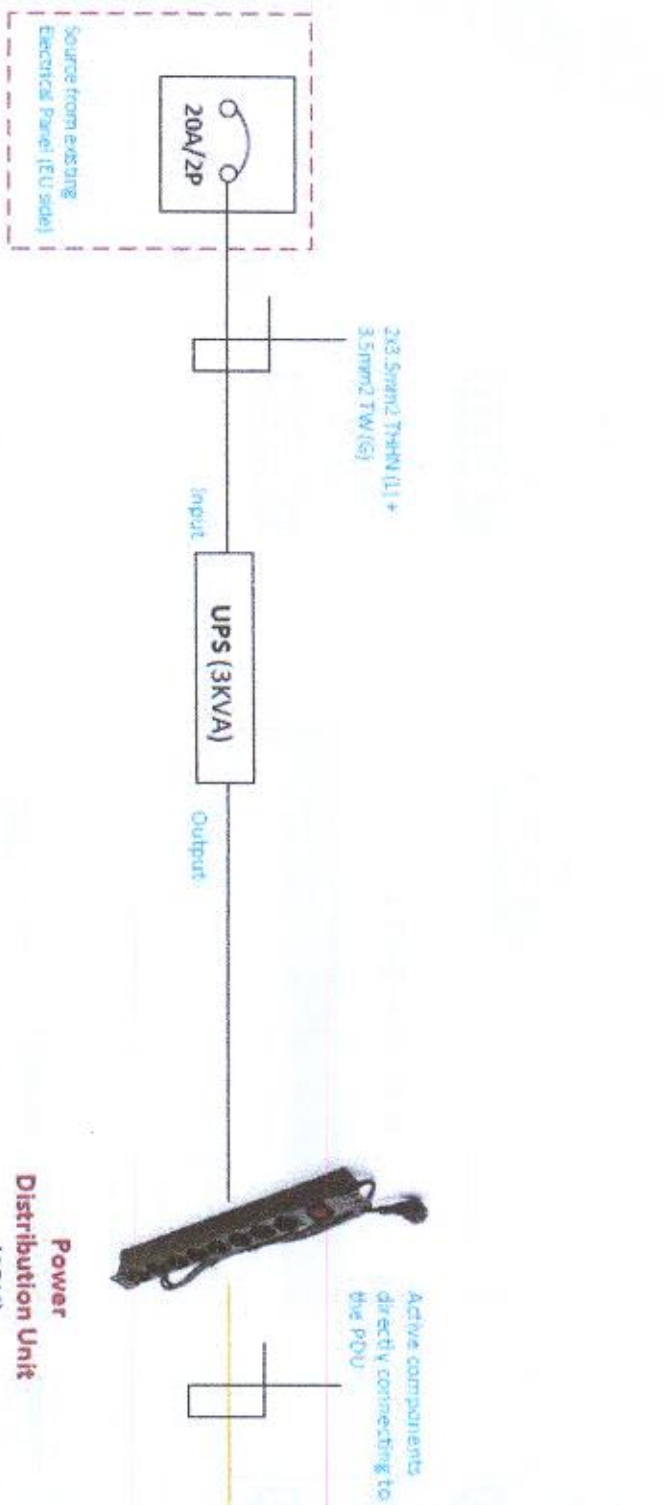
REV: 01

DATE: JULY 2023

NOT TO SCALE

 **GROUNDING SYSTEM SINGLE LINE DIAGRAM**





Data Cabinet (MDF)
 42U, 800mm x
 1000mm, black



West Visayas State University
 Lana St. La Paz 1000 City, Philippines 6000
 Office of the President
MANAGEMENT INFORMATION SYSTEMS OFFICE
 Tel. No. 035-2204111 local 443 URL: www.wvsu.edu.ph Email: mgs@wvsu.edu.ph

PROPOSED ELECTRICAL SINGLE LINE DIAGRAM

PROJECT TITLE

DRAFTED BY:

ELY JIM A. TOPE
 Network Administrator

APPROVED BY:

LOUIE R. CERVANTES
 MIS Director

REV: 01

DATE: JULY 2023

NOT TO SCALE
 A 1 1