


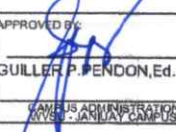
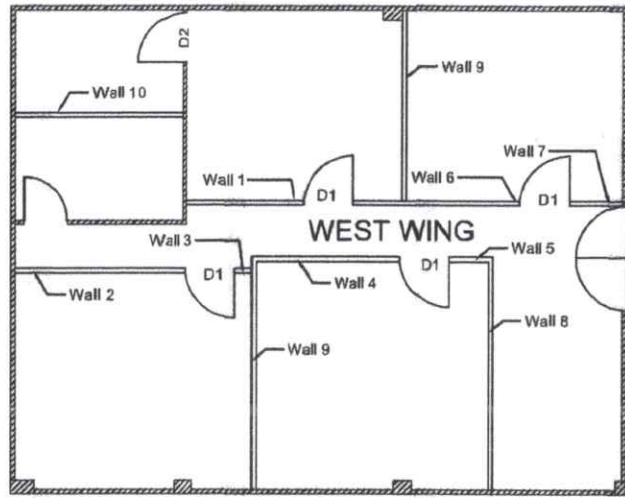


**FLOOR PLAN**  
 Scale 1:80

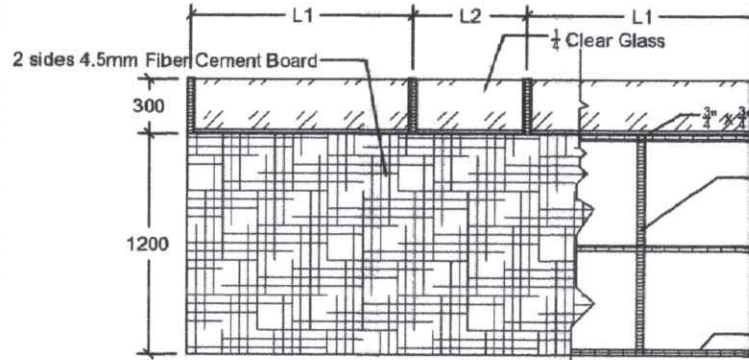
Note:  
 ▨ -Existing Structures

	<b>WEST VISAYAS STATE UNIVERSITY</b> JANUJAY CAMPUS JANUJAY, ILOILO, PHILIPPINES PROJECT PLANNING AND DEVT. OFFICE	PREPARED BY:  ENGR. JUSTO PAUL M. MIADO	PROJECT TITLE: <b>INSTALLATION OF PARTITION WALLS AND          REPURPOSING, RETROFITTING, REFURBISHING AND          REHABILITATING OF THE OLD LIBRARY BUILDING</b>	NOTED:  FLORENCIO L. CORDURA, JR., MAT. MATH	APPROVED BY:  GUILLER P. PENDON, Ed. D., LPT	DATE: 28/07/2022	SHEET CONTENT: AS SHOWN	PAGES: 1 / 4
		CAMPUS ENGINEER WVSU - JANUJAY CAMPUS	JANUJAY, ILOILO	HEAD, FIDO WVSU - JANUJAY CAMPUS	CAMPUS ADMINISTRATION WVSU - JANUJAY CAMPUS	CADBY: JPM		CAMPUS ADMINISTRATION WVSU - JANUJAY CAMPUS



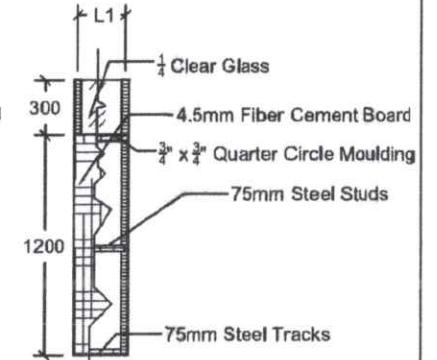
**LEFT WING FLOOR PLAN**

Scale 1:80



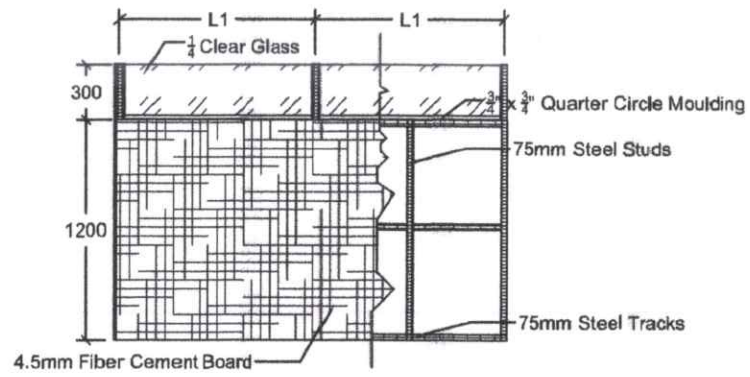
**Front View Wall 2**

Scale 1:30



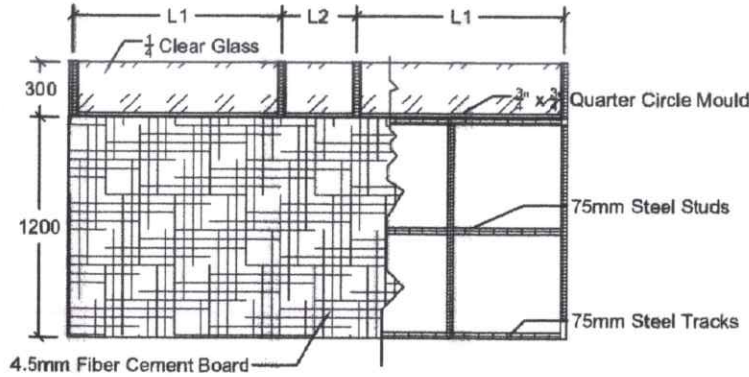
**Front View Wall 3**

Scale 1:30



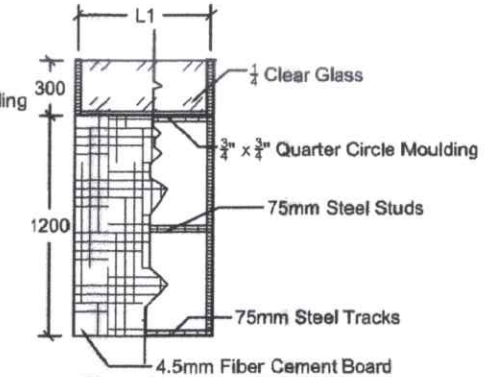
**Front View Wall 1**

Scale 1:30



**Front View Wall 4**

Scale 1:30



**Front View Wall 5**

Scale 1:30



WEST VISAYAS STATE UNIVERSITY  
JANUJAY CAMPUS  
JANUJAY, ILOILO, PHILIPPINES  
PROJECT PLANNING AND DEVT. OFFICE

PREPARED BY:  
ENGR. JUSTEL PAUL M. MIADO  
CAMPUS ENGINEER  
WVSU - JANUJAY CAMPUS

PROJECT TITLE:  
**INSTALLATION OF PARTITION WALLS AND  
REPURPOSING, RETROFITING, REFURBISHING AND  
REHABILITATING OF THE OLD LIBRARY BUILDING**  
JANUJAY, ILOILO

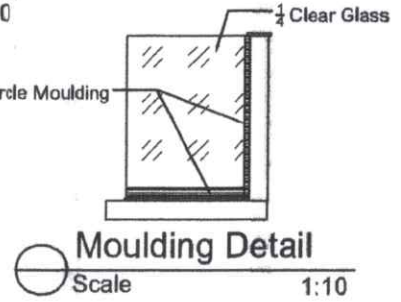
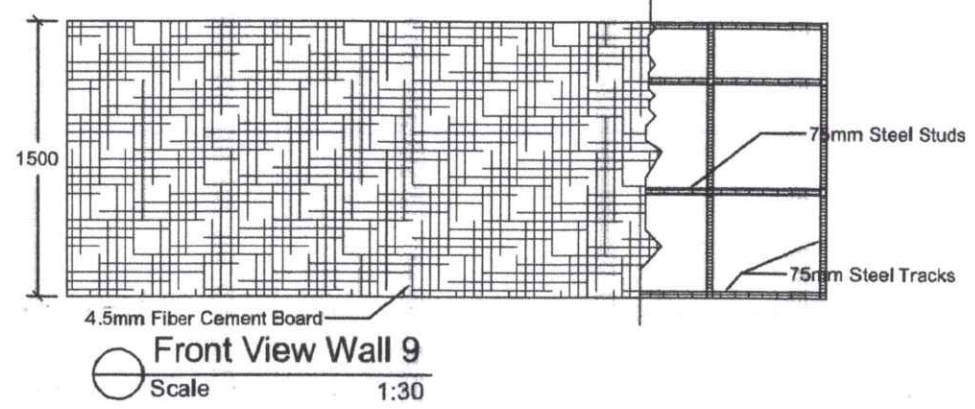
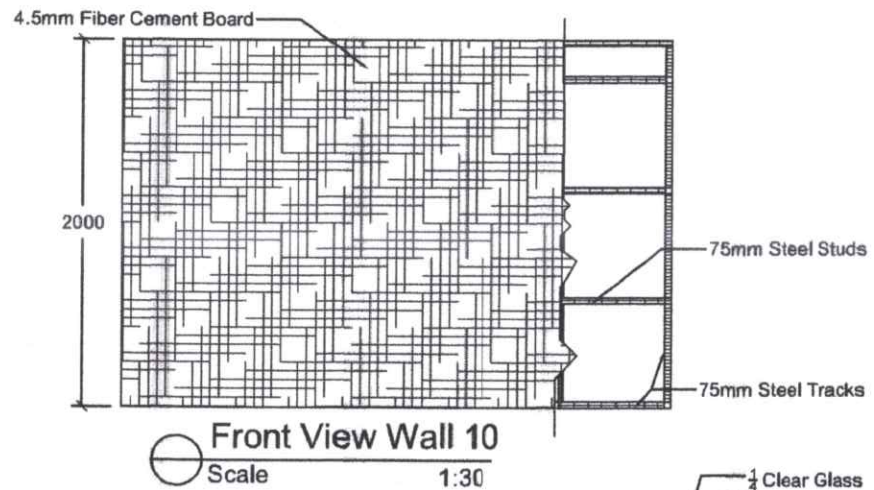
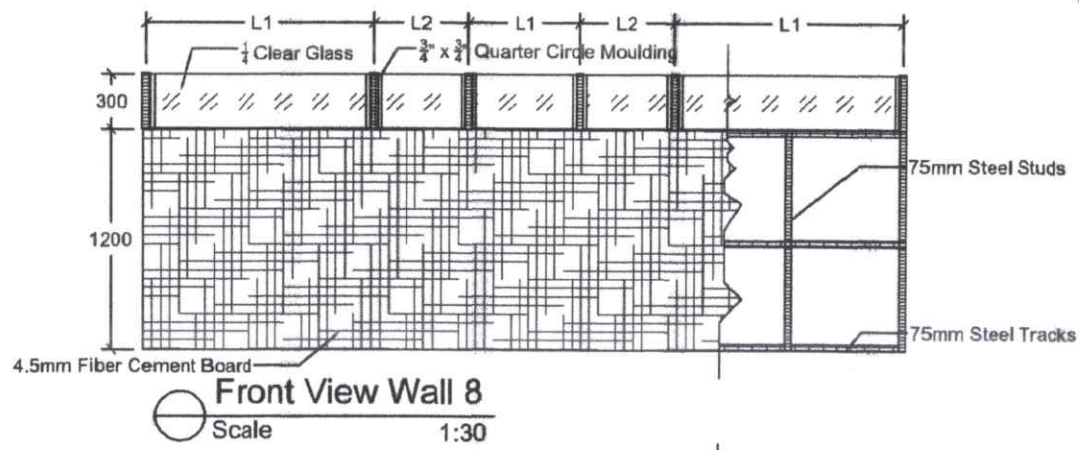
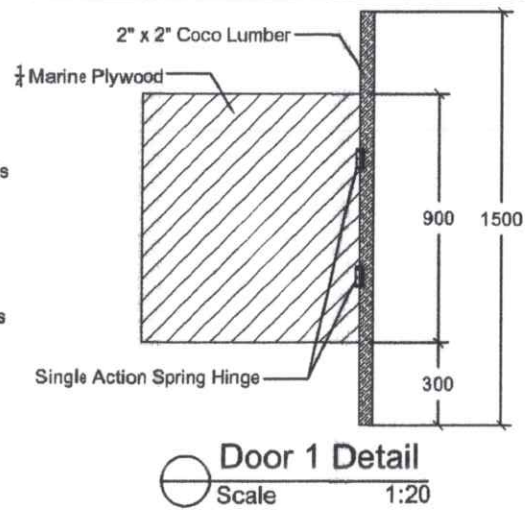
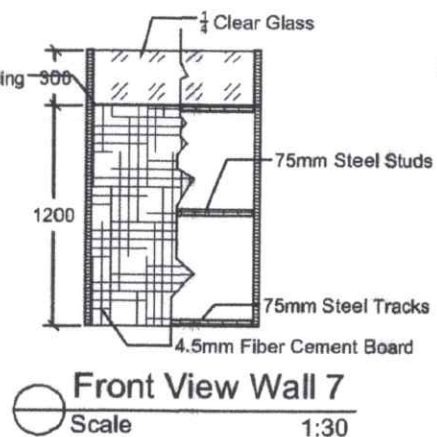
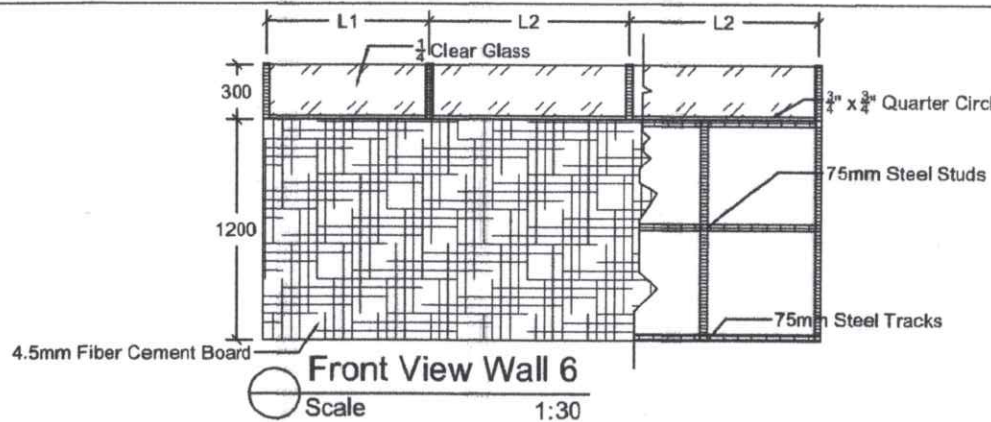
NOTED:  
FLORENCIO L. CORDURA, JR., MAT. MATH  
HEAD, FIDP  
WVSU - JANUJAY CAMPUS

APPROVED BY:  
GULLER P. PENDON, Ed. D., LPT  
CAMPUS ADMINISTRATION  
WVSU - JANUJAY CAMPUS

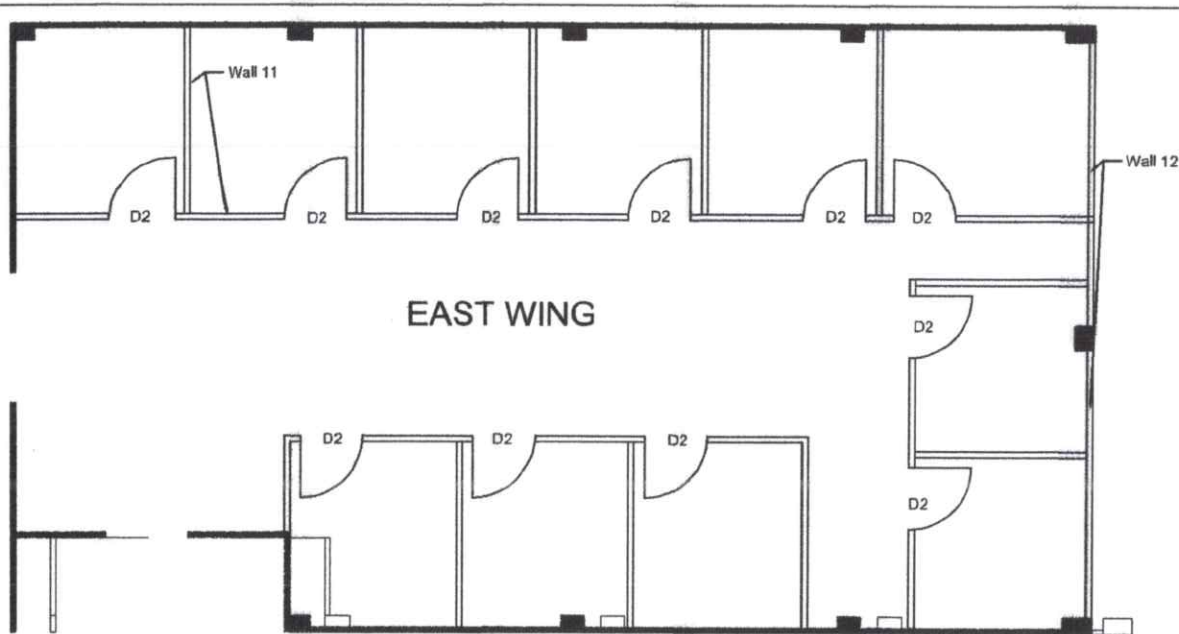
DATE:  
28/07/2022  
CAD BY:  
JPM

SHEET CONTENT:  
AS SHOWN  
CAMPUS ADMINISTRATION  
WVSU - JANUJAY CAMPUS

PAGES:  
2 / 4

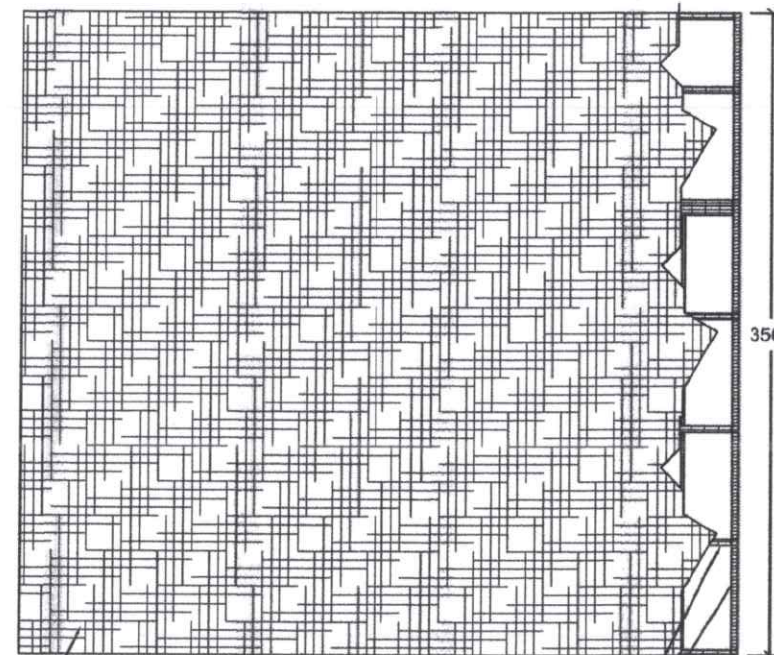


	WEST VISAYAS STATE UNIVERSITY JANUJAY CAMPUS JANUJAY, ILOILO, PHILIPPINES PROJECT PLANNING AND DEVT. OFFICE	PREPARED BY:  ENGR. JUSTEL PAUL M. MIADO	PROJECT TITLE: <b>INSTALLATION OF PARTITION WALLS AND          REPURPOSING, RETROFITTING, REFURBISHING AND          REHABILITATING OF THE OLD LIBRARY BUILDING</b>	NOTED:  FLORENCIO L. CORDURA, JR., MAT. MATH	APPROVED BY:  GUILVER P. PENDON, Ed. D., LPT	DATE: 28/07/2022	SHEET CONTENT: AS SHOWN	PAGES: 3 / 4
		CAMPUS ENGINEER WVSU - JANUJAY CAMPUS	JANUJAY, ILOILO	HEAD, PISO WVSU - JANUJAY CAMPUS	CAMPUS ADMINISTRATION WVSU - JANUJAY CAMPUS	CAD BY: JPM	CAMPUS ADMINISTRATION WVSU - JANUJAY CAMPUS	



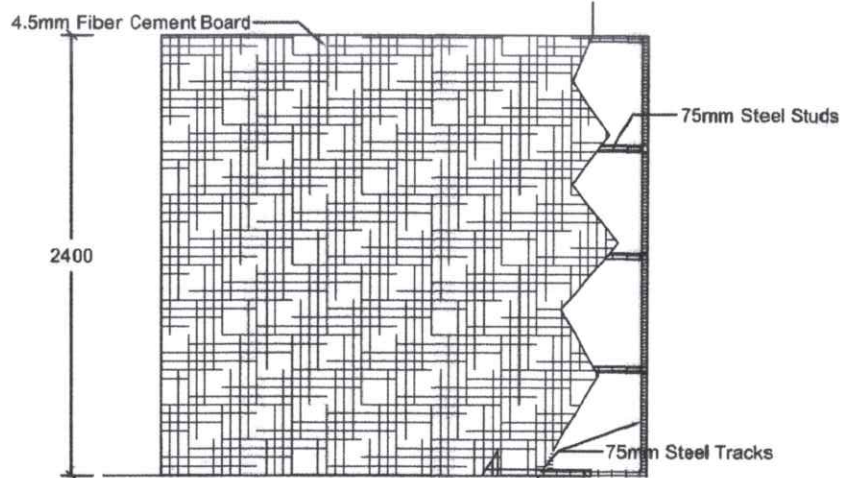
**RIGHT WING FLOOR PLAN**

Scale 1:80



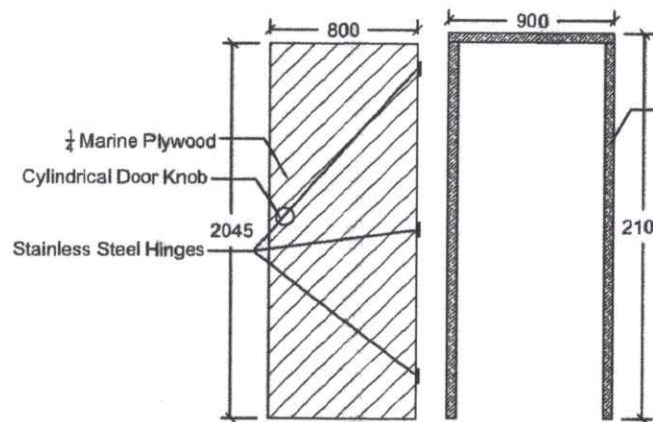
**Front View Wall 12**

Scale 1:30



**Front View Wall 11**

Scale 1:30



**Door 2 Detail**

Scale 1:30

**NOTE:**  
Wall 12 Exterior Fiber Cement board is at 6mm thickness



WEST VISAYAS STATE UNIVERSITY  
JANUAY CAMPUS  
JANUAY, ILOILO, PHILIPPINES  
PROJECT PLANNING AND DEVT. OFFICE

PREPARED BY:  
ENGR. JUSTEL PAUL M. MIADO  
CAMPUS ENGINEER  
WVSU - JANUAY CAMPUS

PROJECT TITLE:  
INSTALLATION OF PARTITION WALLS AND  
REPURPOSING, RETROFITTING, REFURBISHING AND  
REHABILITATING OF THE OLD LIBRARY BUILDING  
JANUAY, ILOILO

NOTED:  
FLORENCIO L. CORDURA, JR., MAT. MATH  
HEAD, FPD  
WVSU - JANUAY CAMPUS

APPROVED BY:  
GUILLET P. PENDON, Ed. D., LPT  
CAMPUS ADMINISTRATION  
WVSU - JANUAY CAMPUS

DATE:  
28/07/2022  
CADBY:  
JPM

SHEET CONTENT:  
AS SHOWN  
CAMPUS ADMINISTRATION  
WVSU - JANUAY CAMPUS

PAGES:  
4  
4